

T-REX 600 Nitro Kit

KX0160NOA

INSTRUCTION MANUAL

使用說明書

ALIGN



- ★Fuel Tank Capacity 440cc.
- ★Heavy duty tail with thrust bearings.
- ★Main Gear Ratio 8.5:1, 1500-2200 Rotor RPM.
- ★Tail rotor drive belt system for incredible 50 sized performance.
- ★+/-14° collective pitch is possible for extreme 3D performance.
- ★New main gear with one-way bearing design for high torque.
- ★Very efficient airflow to provide unequalled cooling and horsepower.
- ★Simple and light weight design provides awesome flight performance.
- ★Rigid frame design that can also handle hard crashes without damage.
- ★Clutch, Fan and Bell assembly provide a very smooth operation even at high RPM.
- ★Clutch/Start shaft feature a 10mm ID one way bearing to eliminate any bearing problems during starting and flight.
- ★Ready to fly weight (no fuel) is an incredible 3.20Kg (7lbs)

Thank you for buying ALIGN products. The **T-REX 600Nitro** is the latest technology in Rotary RC models. Please read this manual carefully before assembling and flying the new **T-REX 600Nitro** helicopter. We recommend that you keep this manual for future reference regarding tuning and maintenance.

承蒙閣下選用亞拓遙控世界系列產品，謹表謝意。進入遙控世界之前必須告訴您許多相關的知識與注意事項，以確保您能夠在學習的過程中較得心應手。在開始操作之前，請務必詳閱本說明書，相信一定能夠給您帶來相當大的幫助，也請您妥善保管這本說明書，以作為日後參考。




Contents

1	INTRODUCTION 前言
1~2	SAFETY NOTES 安全注意事項
3	EQUIPMENT REQUIRED FOR ASSEMBLY 自備設備
4	SAFETY CHECK BEFORE FLYING 飛行前安全檢查
5~21	ASSEMBLY SECTION 組裝說明
22	EQUIPMENT INSTALLATION 各項設備配置圖
23	CANOPY ASSEMBLY ILLUSTRATION 機頭罩組裝方式
23	CANOPY ASSEMBLY 機頭罩安裝
24	ELECTRIC EQUIPMENT ILLUSTRATION 電子設備建議配置圖示
25	SERVO SETTING AND ADJUSTMENT 伺服器設定調整
25	ADJUSTMENTS FOR GYRO AND TAIL NEUTRAL SETTING 陀螺儀與尾翼中立點調整
26	PITCH AND THROTTLE SETTING 主旋翼螺距與油門設定
27~31	FLIGHT ADJUSTMENT AND SETTING 飛行動作調整與設定
32~42	PART NAMES AND OPTIONAL PART LIST 各部零件名稱與選購備品明細

Thank you for buying ALIGN Products. The T-REX 600 Nitro Helicopter is designed as an easy to use, full featured Helicopter R/C model capable of all forms of rotary flight. Please read the manual carefully before assembling the model, and follow all precautions and recommendations located within the manual. Be sure to retain the manual for future reference, routine maintenance, and tuning. The T-REX 600 Nitro is a new product developed by ALIGN. It features the best design available on the Micro-Heli market to date, providing flying stability for beginners, full aerobatic capability for advanced fliers, and unsurpassed reliability for customer support.

感謝您選購亞拓產品，為了讓您容易方便的使用 T-REX 600 Nitro 直昇機、請您詳細的閱讀完這本說明書之後再進行組裝以及操作這台直昇機，同時請您妥善的保存這本說明書、作為日後進行調整以及維修的參考。T-REX 600 Nitro 是由亞拓自行研發的新產品，不論你是需求飛行穩定性的初學者或是追求性能的飛行愛好者。T-REX 600 Nitro 將是你最佳的選擇。

THE MEANING OF SYMBOLS 標誌代表涵義

 WARNING 警告	Mishandling due to failure to follow these instructions may result in damage or injury. 因為疏忽這些操作說明，而使用錯誤可能造成財產損失或嚴重傷害。
 CAUTION 注意	Mishandling due to failure to follow these instructions may result in danger. 因為疏忽這些操作說明，而使用錯誤可能造成危險。
 FORBIDDEN 禁止	Do not attempt under any circumstances. 在任何禁止的環境下，請勿嘗試操作。

IMPORTANT NOTES 重要聲明

R/C helicopters, including the T-REX 600 Nitro are not toys. R/C helicopter utilize various high-tech products and technologies to provide superior performance. Improper use of this product can result in serious injury or even death. Please read this manual carefully before using and make sure to be conscious of your own personal safety and the safety of others and your environment when operating all ALIGN products.

Manufacturer and seller assume no liability for the operation or the use of this product.

Intended for use only by adults with experience flying remote control helicopters at a legal flying field. After the sale of this product we cannot maintain any control over its operation or usage.

T-REX 600 Nitro 遙控直昇機並非玩具，它是結合了許多高科技產品所設計出來的休閒用品，所以商品的使用不當或不熟悉都可能造成嚴重傷害甚至死亡，使用之前請務必詳讀本說明書，勿輕忽並注意自身安全。注意！任何遙控直昇機的使用，製造商和經銷商是無法對使用者於零件使用的損耗異常或組裝不當所發生之意外負任何責任，本產品是提供給有操作過模型直昇機經驗的成人或有相當技術的人員在旁指導於當地合法遙控飛行場飛行，以確保安全無虞下操作使用，產品售出後本公司將不負任何操作和使用控制上的任何性能與安全責任。

We recommend that you obtain the assistance of an experienced pilot before attempting to fly our products for the first time. A local expert is the best way to properly assemble, setup, and fly your model for the first time. The T-REX 600 Nitro requires a certain degree of skill to operate, and is a consumer item. Any damage or dissatisfaction as a result of accidents or modifications are not covered by any warranty and cannot be returned for repair or replacement. Please contact our distributors for free technical consultation and parts at discounted rates when you experience problems during operation or maintenance.

模型商品屬於需高操作技術且為消耗性之商品，如經拆裝使用後，會造成不等情況零件損耗，任何使用情況所造成商品不良或不滿意，將無法於保固條件內更換新品或退貨，如遇有使用操作維修問題，本公司全省分公司或代理商將提供技術指導、特價零件供應服務。

2. SAFETY NOTES 安全注意事項



Fly only in safe areas, away from other people. Do not operate R/C aircraft within the vicinity of homes or crowds of people. R/C aircraft are prone to accidents, failures, and crashes due to a variety of reasons including, lack of maintenance, pilot error, and radio interference. Pilots are responsible for their actions and damage or injury occurring during the operation or as of a result of R/C aircraft models.

遙控模型飛機、直昇機屬高危險性商品，飛行時務必遠離人群，人為組裝不當或機件損壞、電子控制設備不良，以及操控上的不熟悉、都有可能導致飛行失控損傷等不可預期的意外，請飛行者務必注意飛行安全，並需了解自負疏忽所造成任何意外之責任。



LOCATE AN APPROPRIATE LOCATION 遠離障礙物及人群

R/C helicopters fly at high speed, thus posing a certain degree of potential danger. Choose an a legal flying field consisting of flat, smooth ground without obstacles. Do not fly near buildings, high voltage cables, or trees to ensure the safety of yourself, others and your model. For the first practice, please choose a legal flying field and can use a training skid to fly for reducing the damage. Do not fly your model in inclement weather, such as rain, wind, snow or darkness.

直昇機飛行時具有一定的速度，相對的也潛在著危險性，場地的選擇也相對的重要，請需遵守當地法規到合法搖控飛行場地飛行。必須注意周遭有沒有人、高樓、建築物、高壓電線、樹木等等，避免操控的不當造成自己與他人財產的損壞。初次練習時，務必選擇在空曠合法專屬飛行場地並適當搭配練習架練習飛行，這對飛行失誤所造成的損傷將會大幅的降低。請勿在下雨、打雷等惡劣天候下操作，以確保本身及機體的安全。



PREVENT MOISTURE 遠離潮濕環境

R/C models are composed of many precision electrical components. It is critical to keep the model and associated equipment away from moisture and other contaminants. The introduction or exposure to water or moisture in any form can cause the model to malfunction resulting in loss of use, or a crash. Do not operate or expose to rain or moisture.

直昇機內部也是由許多精密的電子零組件組成，所以必須絕對的防止潮濕或水氣，避免在浴室或雨天時使用，防止水氣進入機身內部而導致機件及電子零件故障而引發不可預期的意外！



PROPER OPERATION 勿不當使用本產品

Please use the replacement of parts on the manual to ensure the safety of instructors. This product is for R/C model, so do not use for other purpose.

請勿自行改造加工，任何的升級改裝或維修，請使用亞拓產品目錄中的零件，以確保結構的安全。請確認於產品限界內操作，請勿過載使用，並勿用於安全、法令外其它非法用途。



OBTAIN THE ASSISTANCE OF AN EXPERIENCED PILOT 避免獨自操控

Before turning on your model and transmitter, check to make sure no one else is operating on the same frequency. Frequency interference can cause your model, or other models to crash. The guidance provided by an experienced pilot will be invaluable for the assembly, tuning, trimming, and actual first flight. (Recommend you to practice with computer-based flight simulator.)

至飛行場飛行前，需確認是否有相同頻率的同好正進行飛行，因為開啓相同頻率的發射機將導致自己與他人立即干擾等意外危險。遙控飛機操控技巧在學習初期有著一定的難度，要盡量避免獨自操作飛行，需有經驗的人士在旁指導，才可以操控飛行。(勤練電腦模擬器及老手指導是入門必要的選擇)



SAFE OPERATION 安全操作

Operate this unit within your ability. Do not fly under tired condition and improper operation may cause in danger.

請於自己能力內及需要一定技術範圍內操作這台直昇機，過於疲勞、精神不佳或不當操作，意外發生風險將可能會提高。



ALWAYS BE AWARE OF THE ROTATING BLADES 遠離運轉中零件

During the operation of the helicopter, the main rotor and tail rotor will be spinning at a high rate of speed. The blades are capable of inflicting serious bodily injury and damage to the environment. Be conscious of your actions, and careful to keep your face, eyes, hands, and loose clothing away from the blades. Always fly the model a safe distance from yourself and others, as well as surrounding objects. Never take your eyes off the model or leave it unattended while it is turned on. Immediately turn off the model and transmitter when you have landed the model.

當直昇機主旋翼與尾旋翼運轉時，切勿觸摸並遠離任何物件，以避免造成危險及損壞。



KEEP AWAY FROM HEAT 遠離熱源

R/C models are made up various forms of plastic. Plastic is very susceptible to damage or deformation due to extreme heat and cold climate. Make sure not to store the model near any source of heat such as an oven, or heater. It is best to store the model indoors, in a climate-controlled, room temperature environment.




遙控飛機多半是以 PA 纖維或聚乙烯、電子商品為主要材質，因此要盡量遠離熱源、日曬，以避免因高溫而變形甚至熔毀損壞的可能。



RADIO TRANSMITTER AND ELECTRONIC EQUIPMENT REQUIRED FOR ASSEMBLY 自備遙控及電子設備

 <p>Transmitter (7-channel or more, helicopter system) 發射機(七動以上直昇機模式遙控器)</p>	 <p>Receiver(7-channel or more) 接收機(七動以上)</p>	 <p>Standard Servo x 4pcs 標準伺服器x4</p>
 <p>Head Lock Gyro x 1pc 鎖定式陀螺儀x1</p>	 <p>Specialized Servo x 1pc 尾舵控制專用伺服器x1</p>	 <p>600 Blade x 1 set 600主旋翼x1組</p>
 <p>Dial Pitch Gauge x 1pc 旋轉式螺距規 x 1</p>	 <p>50 Muffler x 1pc 50高效加速管x1</p>	 <p>50 Engine x 1pc 50引擎x1</p>
 <p>Engine Starter/Starter Shaft x 1pc 啟動器/啟動棒x1</p>	 <p>11.1~14.8V Li-Po 2500mAh Starter Battery x 1pc 11.1-14.8V Li-Po 2500mAh啟動電池x1</p>	 <p>2 in 1 Regulator (RX and Glow plug power) x 1pc 接收器 & 火星塞電源2 IN 1降壓器x1</p>
 <p>7.4V 1900mAh Li-Po Battery for Regulator x 1pc 降壓器用7.4V 1900mAh Li-Po電池x1</p>	 <p>Fuel Pump x 1pc 加油器x1</p>	 <p>Engine Fuel x 1pc 引擎燃油x1</p>

ADDITIONAL TOOLS REQUIRED FOR ASSEMBLY 自備工具




 <p>Scissors 剪刀</p>	 <p>Cutter Knife 刀子</p>	 <p>Diagonal Cutting Pliers 斜口鉗</p>	 <p>Needle Nose Pliers 尖嘴鉗</p>
 <p>Oil 潤滑油</p>	 <p>CA 瞬間膠</p>	 <p>Hexagon Screw Driver 六角螺絲起子 3mm/2.5mm/2mm/1.5mm</p>	 <p>Philips Screw Driver 十字螺絲起子 φ 3.0/φ 1.8mm</p>

CAREFULLY INSPECT BEFORE REAL FLIGHT 實機飛行前請嚴格執行飛行前檢查義務

- ☆ **Before flying, please check to make sure no one else is operating on the same frequency for the safety.**
- ☆ **Before flight, please check if the batteries of transmitter and receiver are enough for the flight.**
- ☆ **Before turn on the transmitter, please check if the throttle stick is in the lowest position. IDLE switch is OFF.**
- ☆ **When turn off the unit, please follow the power on/off procedure. Power ON- Please turn on the transmitter first, and then turn on receiver. Power OFF- Please turn off the receiver first and then turn off the transmitter. Improper procedure may cause out of control, so please to have this correct habit.**
- ☆ **Before operation, check every movement is smooth and directions are correct. Carefully inspect servos for interference and broken gear.**
- ☆ **Check for missing or loose screws and nuts. See if there is any cracked and incomplete assembly of parts. Carefully check main rotor blades and rotor holders. Broken and premature failures of parts possibly cause resulting in a dangerous situation.**
- ☆ **Check all ball links to avoid excess play and replace as needed. Failure to do so will result in poor flight stability.**
- ☆ **Check the battery and power plug are fastened. Vibration and violent flight may cause the plug loose and result out of control.**

- ★ 每次飛行前應先確認所使用的頻率是否會干擾他人，以確保你自身與他人的安全。
- ★ 每次飛行前確定您發射機與接收機電池的電量是在足夠飛行的狀態。
- ★ 開機前確認油門搖桿是否位於最低點，熄火降落開關，定速開關(IDLE)是否於關閉位置。
- ★ 關機時必須遵守電源開關機的程序，開機時應先開啓發射機後，再開啓接收機電源；關機時應先關閉接收機後，再關閉發射機電源。不正確的開關程序可能會造成失控的現象，影響自身與他人的安全，請養成正確的習慣。
- ★ 開機請先確定直昇機的各個動作是否順暢，及方向是否正確，並檢查伺服器的動作是否有干涉或崩齒的情形，使用故障的伺服器將導致不可預期的危險。
- ★ 飛行前確認沒有缺少或鬆脫的螺絲與螺帽，確認沒有組裝不完整或損毀的零件，仔細檢查主旋翼是否有損壞，特別是接近主旋翼夾座的部位。損壞或組裝不完整的零件不僅影響飛行，更會造成不可預期的危險。注意：對損耗、有裂痕零件更新及定期保養檢查的重要性。
- ★ 檢查所有的連桿頭是否有鬆脫的情形，過鬆的連桿頭應先更新，否則將造成直昇機無法操控的危險。
- ★ 確認電池及電源接頭是否固定牢靠，飛行中的震動或激烈的飛行，可能造成電源接頭鬆脫而造成失控的危險。

Standard Equipment 標準配備

 600NC2	 600NB5	 600NB1	 600NB2	 600NB3	 600NB4
 600NH	 600NG	 600NT4	 600NT2G	 600NT3	 600NZ



Original manufacture package of T-REX 600 Nitro is not including main blades. This unit is a large-sized high power helicopter, and we recommend you to choose safe main blades with good brand, reputation. We recommend you do not use general wooden blades and do not equip the power of main blade over 2150rpm to avoid any accident caused by broken structure of the blades and parts.

本公司 T-REX 600 Nitro 遙控模型直昇機原裝出廠商品未附主旋翼，由於此商品屬大型高動力直昇機，具有一定危險性，為了安全在選購搭配主旋翼時，務必注意慎選使用耐安全轉速在2150rpm以上有品牌、有認證、安全的商品，建議禁止使用一般木槳，並嚴格禁止於任何情況下主旋翼轉速超過2150rpm，以避免主旋翼或機體零件結構斷裂造成不可預期的意外。

When you see the marks as below, please use glue or grease to ensure flying safety.

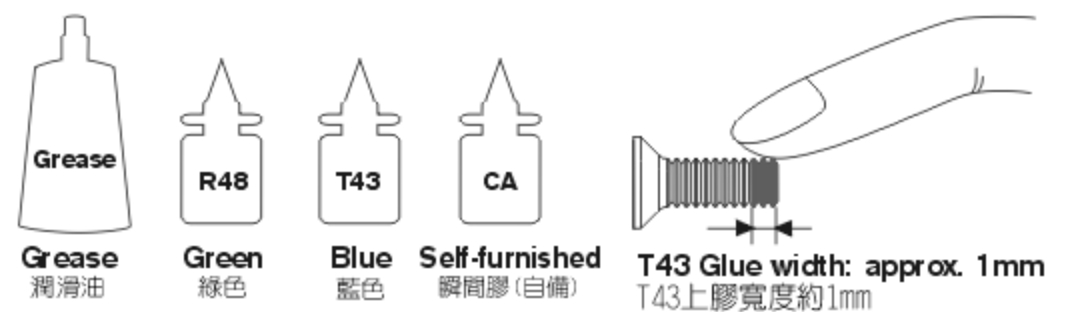
標有下符號之組裝步驟，請配合上膠或上油，以確保使用之可靠度。



- CA: Apply CA Glue to fix.**
- R48: Apply Anaerobics Retainer to fix.**
- T43: Apply Thread Lock to fix.**
- OIL: Add Grease.**
- CA: 使用瞬間膠固定
- R48: 使用金屬管狀固定缺氧膠固定
- T43: 使用螺絲膠
- OIL: 添加潤滑油

When assembling ball links, make sure the "A" character faces outside.

各項塑膠製連桿頭扣接時，A字請朝外。



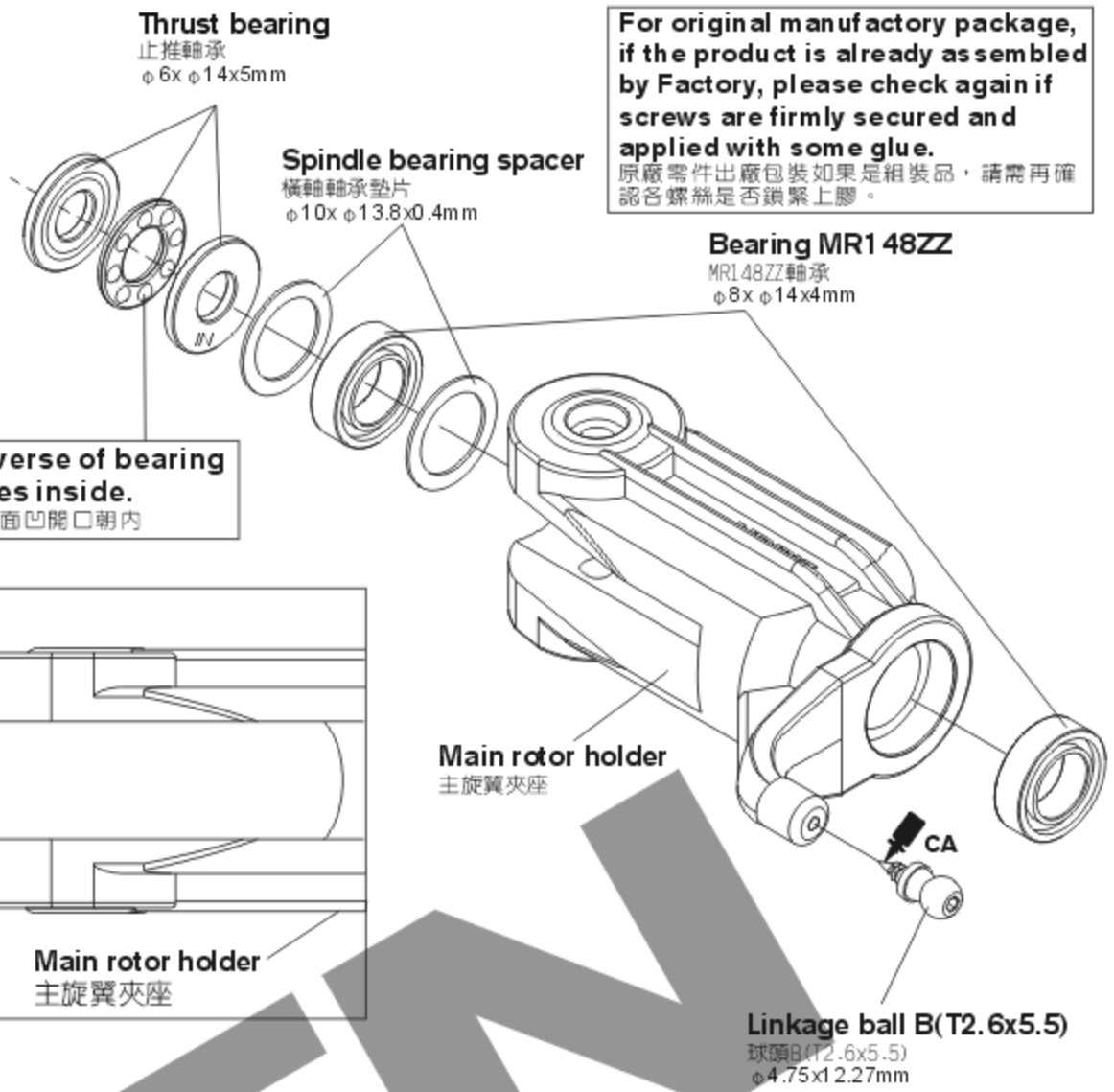
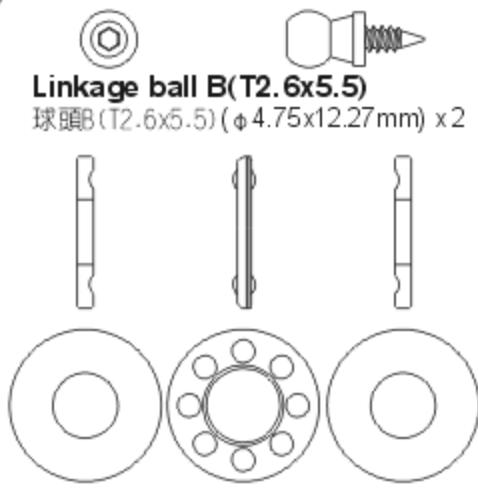
R48 metal tubular adhesive (eg. Bearings). T43 thread lock, apply a small amount on screws or metal parts and wipe surplus off. When disassembling, recommend to heat the metal joint about 15 Seconds. (NOTE: Keep plastic parts away from heat)
R48 為強力金屬管狀(如軸承)接著劑，T43為螺絲膠，膠合螺絲或金屬內外徑請務必少量使用，必要時請用手去除多餘膠量，欲拆卸時可於金屬接合部位熱烤約15秒。(注意！塑膠件避免接近熱源)

600NH1A

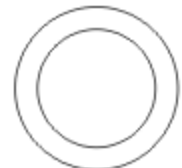
600NH1

Apply a little amount of T43 thread lock when fixing a metal part.
螺絲鎖附於金屬件請使用適量T43(螺絲膠)

For original manufactory package, if the product is already assembled by Factory, please check again if screws are firmly secured and applied with some glue.
原廠零件出廠包裝如果是組裝品，請需再確認各螺絲是否鎖緊上膠。



Thrust bearing
止推軸承(φ6xφ14x5mm) x 2



Spindle bearing spacer
橫軸軸承墊片(φ10xφ13.8x0.4mm) x 4

Main Blade Fixing Screw
鎖主旋翼用螺絲



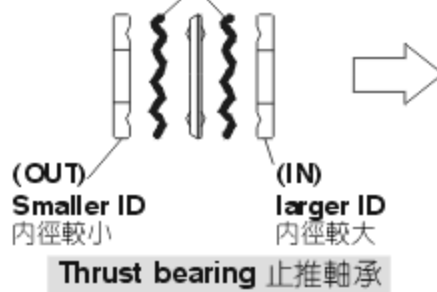
Socket collar screw
圓頭內六角軸套螺絲(M4x27mm) x 2



M4 Nut
M4防鬆螺帽 x 2

CAUTION
注意

Apply grease on thrust bearing.
止推軸承塗上潤滑油



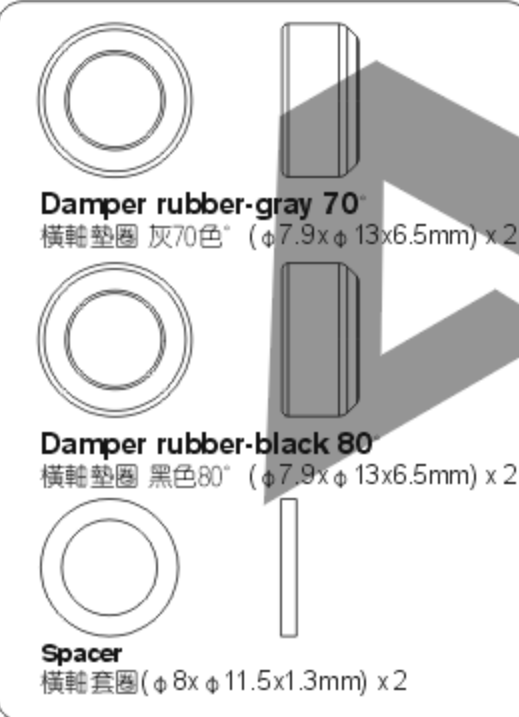
CAUTION
注意

When tightening linkage balls and screws to plastic parts, please note to tighten them firmly and the best tightening torque is within 4~4.5 kgf.cm. Do not over tighten, or the plastic parts will break off or the screws strip.
螺絲及球頭鎖入塑膠件請務必注意，適當扭力鎖緊即可，鎖入力道控制在4-4.5kgf.cm內為佳。若力道太大可能會造成塑膠件破裂或螺絲滑牙、斷裂。

600NH2A

Apply a little amount of T43 thread lock when fixing a metal part.
螺絲鎖附於金屬件請使用適量T43(螺絲膠)

Damper rubber-gray 70° is suitable to general flight for beginners.
橫軸墊圈灰色70°適用於一般飛行，適合初階者使用
Damper rubber-black 80° is suitable to 3D flight for advanced users.
橫軸墊圈黑色80°適用於3D飛行，適合高階者使用



Feathering shaft
橫軸
φ6xφ8x93.2mm

Apply grease
塗上潤滑油

Damper rubber
橫軸墊圈(橡膠)
φ7.9xφ13x6.5mm

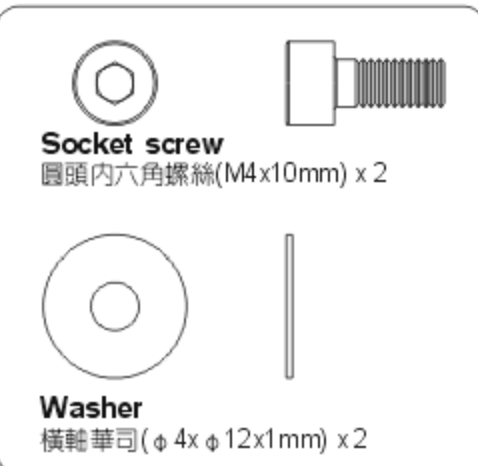
Spacer(Copper)
橫軸套圈(銅)
φ8xφ11.5x1.3mm

Pin
定位插梢
φ2x32mm

CAUTION
注意

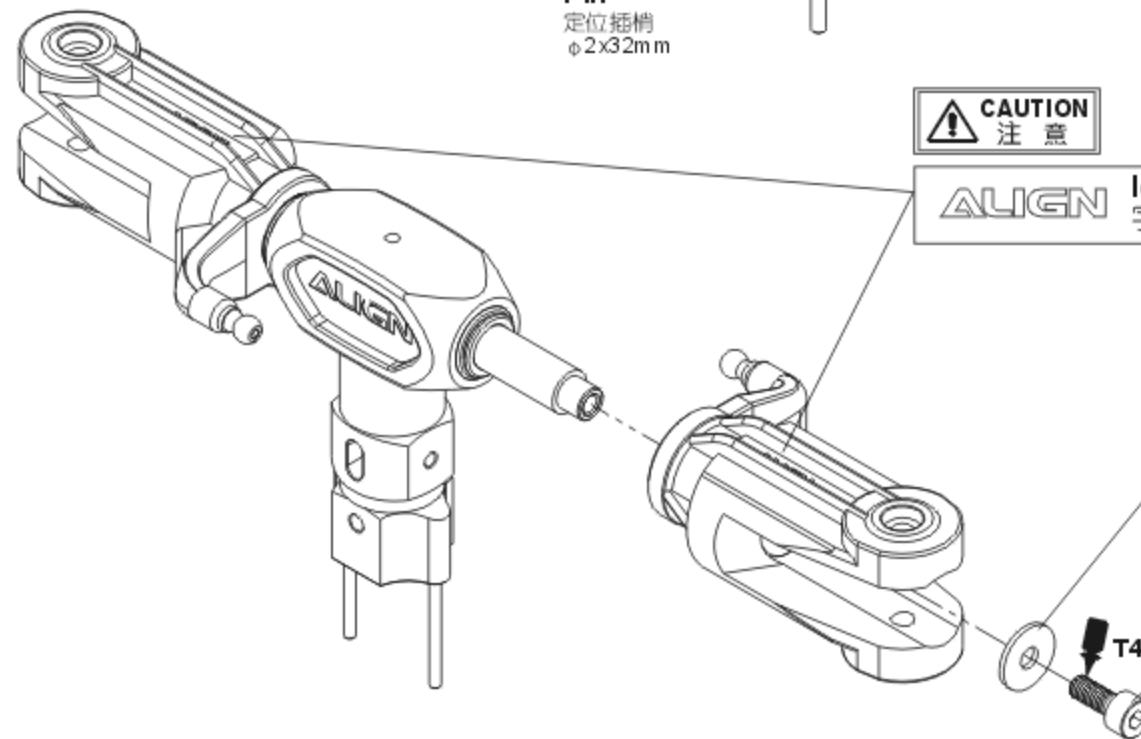
ALIGN logo on the top
字樣朝上

600NH2



Washer
橫軸華司
φ4xφ12x1mm

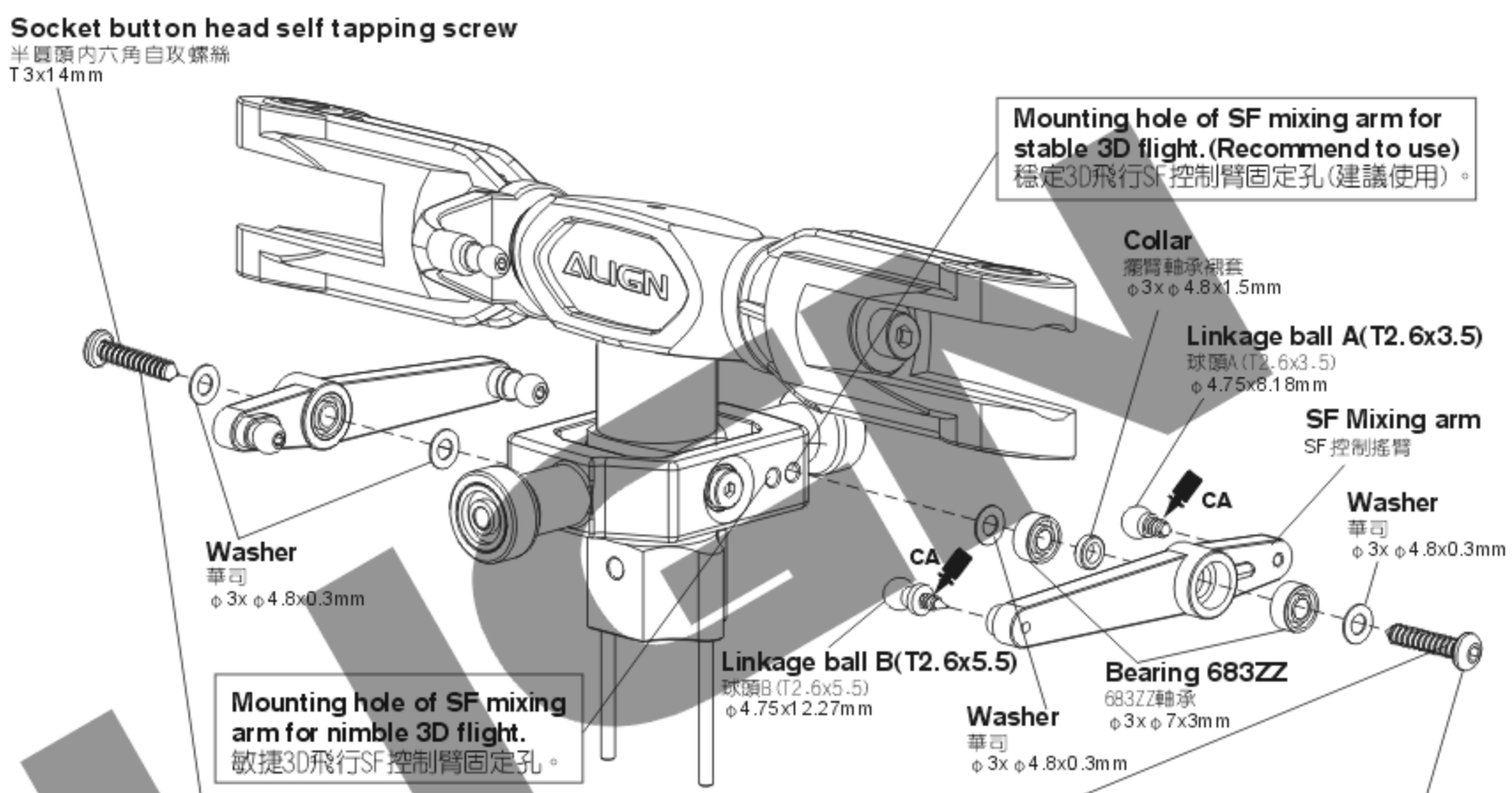
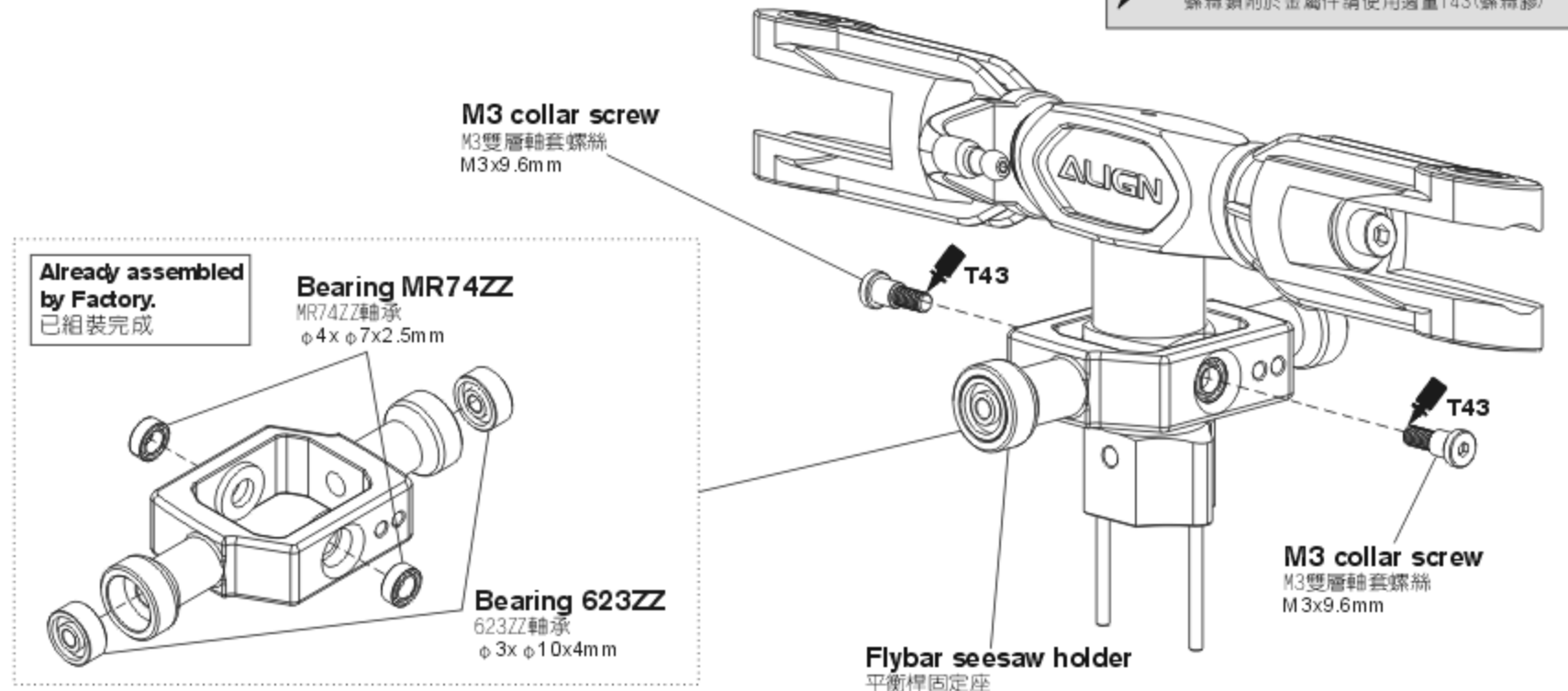
Socket screw
圓頭內六角螺絲
M4x10mm



600NH3A

Apply a little amount of T43 thread lock when fixing a metal part.
螺絲鎖附於金屬件請使用適量T43(螺絲膠)

- Linkage ball A(T2.6x3.5)**
球頭A(T2.6x3.5)(φ4.75x8.18mm) x 2
- Linkage ball B(T2.6x5.5)**
球頭B(T2.6x5.5)(φ4.75x12.27mm) x 2
- Socket button head self tapping screw**
半圓頭內六角自攻螺絲(T3x14mm) x 2
- M3 collar screw**
M3雙層軸套螺絲(M3x9.6mm) x 2
- Washer**
華司(φ3xφ4.8x0.3mm) x 4
- Linkage rod(B)**
連桿(B)φ2x19mm x 2
- M3 Set screw**
M3止洩螺絲(M3x6mm) x 2
- Ball link**
連桿頭 x 4

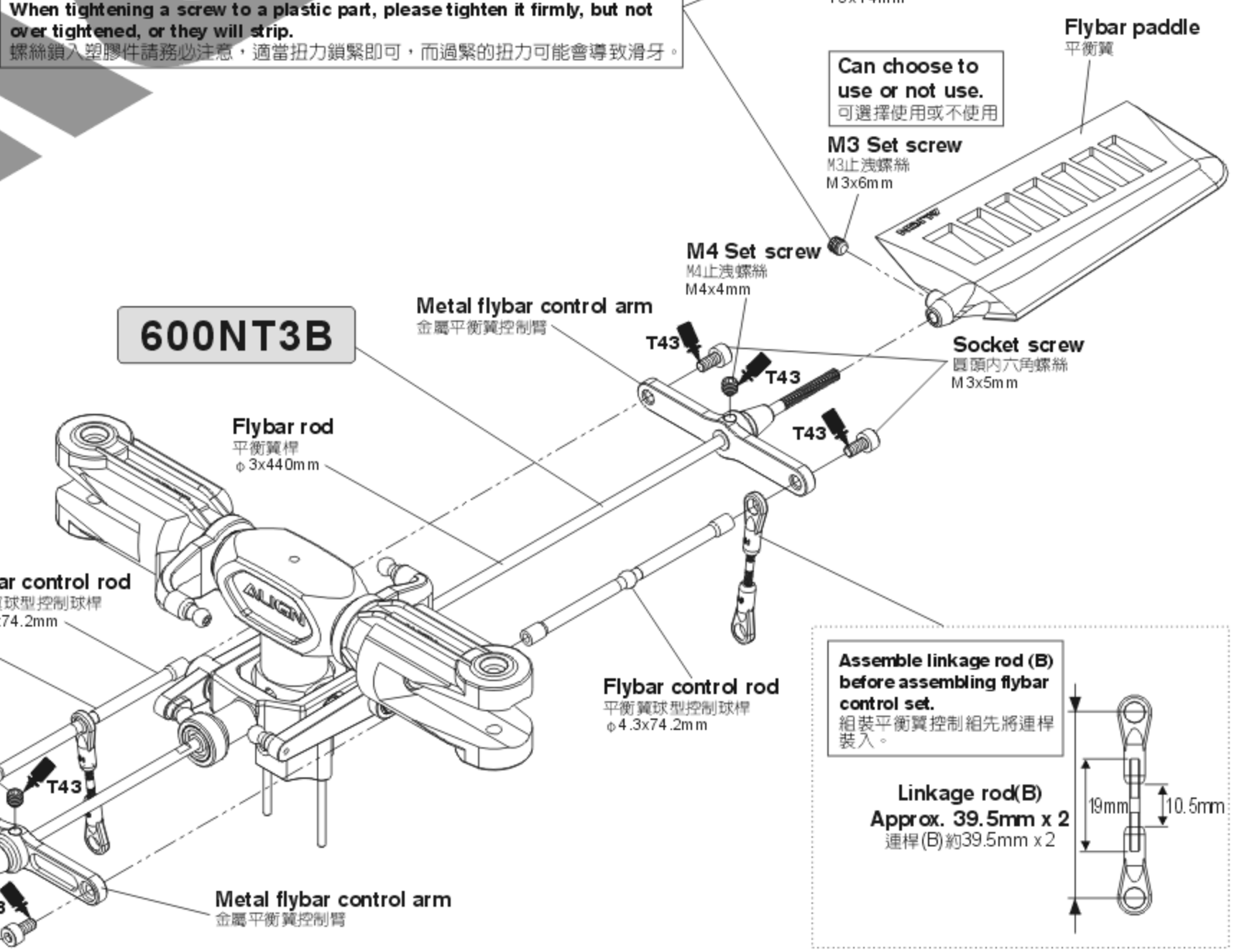


CAUTION
注意

When tightening a screw to a plastic part, please tighten it firmly, but not over tightened, or they will strip.
螺絲鎖入塑膠件請務必注意，適當扭力鎖緊即可，而過緊的扭力可能會導致滑牙。

600NH3

- Collar**
擺臂軸承襯套(φ3xφ4.8x1.5mm) x 2
- Bearing 623ZZ**
623ZZ軸承(φ3xφ10x4mm) x 2
- Bearing 683ZZ**
683ZZ軸承(φ3xφ7x3mm) x 4
- Bearing MR74ZZ**
MR74ZZ軸承(φ4xφ7x2.5mm) x 2
- M4 Set screw**
M4止洩螺絲(M4x4mm) x 2
- Socket screw**
圓頭內六角螺絲(M3x5mm) x 4



600NH4A

Linkage ball B(T2.6x5.5)
球頭B (T2.6x5.5) (φ4.75x12.27mm) x 2

Socket collar screw
圓頭內六角軸套螺絲(M3x22mm) x 1

M3 Nut
M3防鬆螺帽 x 1

600NH4

Bearing 683ZZ
683ZZ軸承(φ3xφ7x3mm) x 4

Collar screw
軸套螺絲(M2x12mm) x 2

Socket screw
圓頭內六角螺絲(M3x12mm) x 2

Washer
華司(φ3xφ4.8x0.3mm) x 2

Collar
擺臂軸承襯套(φ3xφ4.8x1.5mm) x 2

Collar
穩定控制搖臂鋼套(φ2xφ3x5.1mm) x 2

M4 Set screw
M4止洩螺絲(M4x4mm) x 2

CAUTION
注意

Already assembled by Factory.
Before flying, please check if
the screws are fixed with glue.
原裝相裝完成品，每一次飛行前請
先確認螺絲是否已上膠不會鬆動。

When tightening a linkage ball to a plastic part,
please note to use a little CA glue and tighten it
firmly, but not over tightened, or they will strip.
球頭鎖入塑膠件請務必注意，使用少量CA膠並適當
扭力鎖緊即可，而過緊的扭力可能會導致滑牙。

Metal washout base
金屬向位器

Socket screw
圓頭內六角螺絲
M3x12mm

Washer
華司
φ3xφ4.8x0.3mm

Washout control arm
穩定控制搖臂

Linkage ball B(T2.6x5.5)
球頭B (T2.6x5.5)
φ4.75x12.27mm

Bearing 683ZZ
683ZZ軸承
φ3xφ7x3mm

Socket screw
圓頭內六角螺絲
M3x12mm

T43

Collar screw
軸套螺絲
M2x12mm

Washer
華司
φ3xφ4.8x0.3mm

Collar
穩定控制搖臂鋼套
φ2xφ3x5.1mm

Collar
擺臂軸承襯套
φ3xφ4.8x1.5mm

Radius arm
Radius運桿

600NH5A

Linkage ball B(M3x3)
球頭B (M3x3)
φ4.75x9.77mm

Linkage ball B(M3x3)
球頭B (M3x3)
φ4.75x9.77mm

Long linkage ball(M3x3)
導板長球頭 (M3x3)
φ4.75x24.59mm

Main shaft
主軸
φ10x201mm

Apply a little amount of T43 thread
lock when fixing a metal part.
螺絲鎖附於金屬件請使用適量T43(螺絲膠)

Approx. 145mm
約145mm

Socket collar screw
圓頭內六角軸套螺絲
M3x22mm

M3 Nut
M3防鬆螺帽

600NZ2

Linkage rod(A)
連桿(A) $\phi 2 \times 14 \text{ mm} \times 2$

Linkage rod(C)
連桿(C) $\phi 2 \times 48 \text{ mm} \times 2$

600NZ2A

Ball link
連桿頭 $\times 8$

600NH2A

Socket screw
圓頭內六角螺絲(M3x10mm) $\times 1$

600NH3A

Linkage rod(B)
連桿(B) $\phi 2 \times 19 \text{ mm} \times 2$

Socket screw
圓頭內六角螺絲
M3x10mm

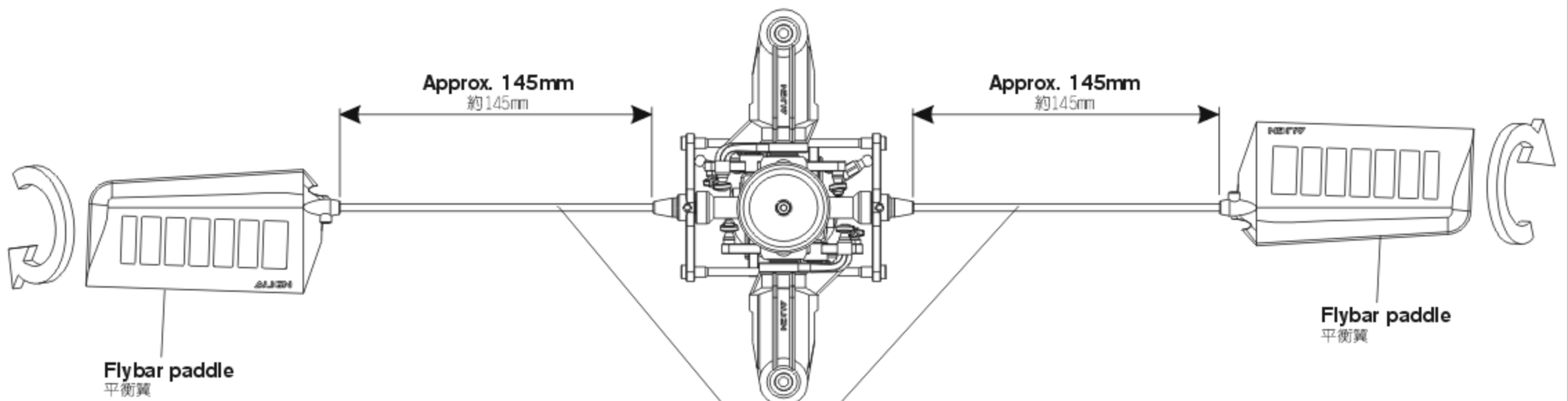
Apply a little amount of T43 thread lock when fixing a metal part.
螺絲鎖附於金屬件請使用適量T43(螺絲膠)

Metal head stopper
金屬旋翼頭制動器

Linkage rod(A)
Approx. 31mm $\times 2$
連桿(A)約31mm $\times 2$

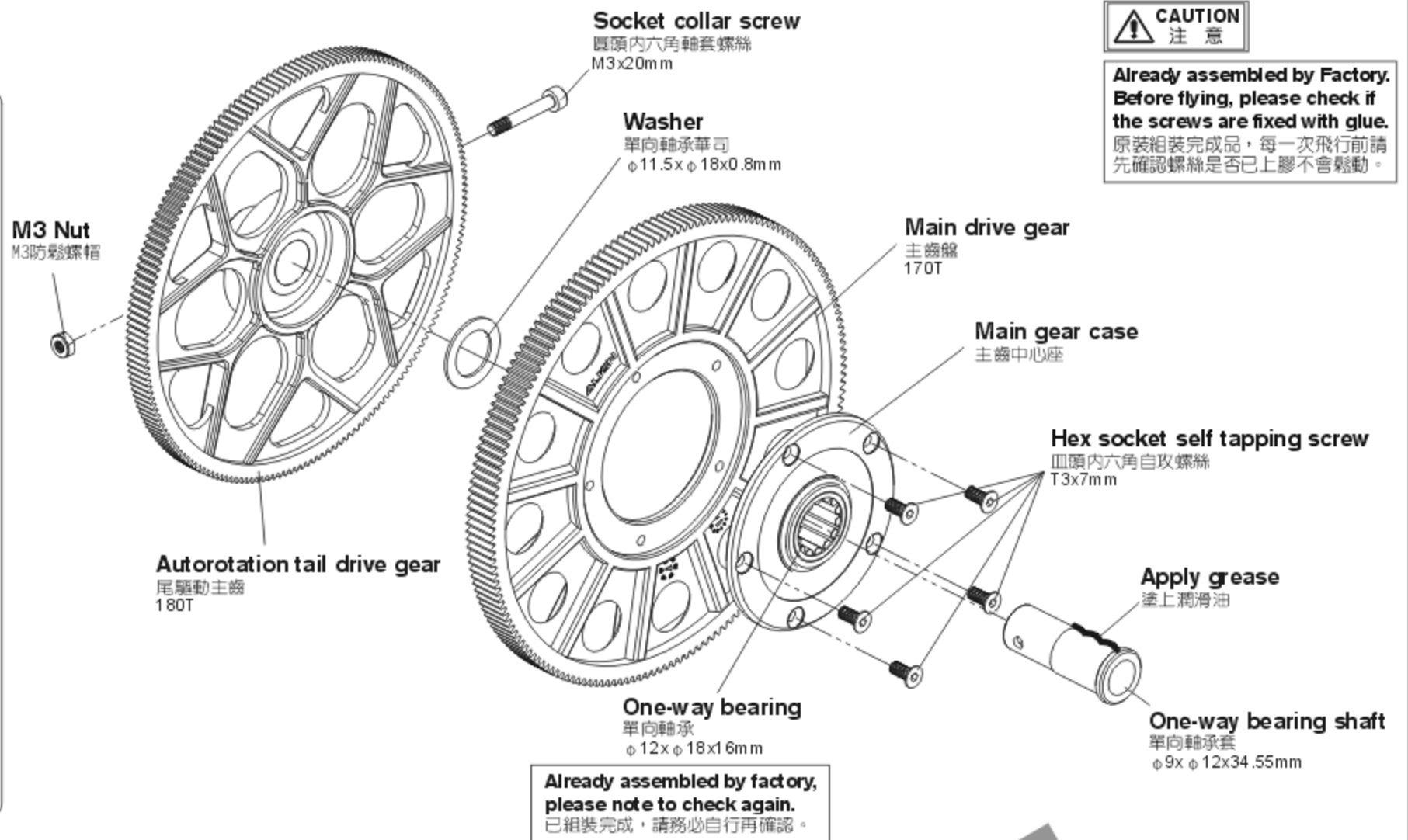
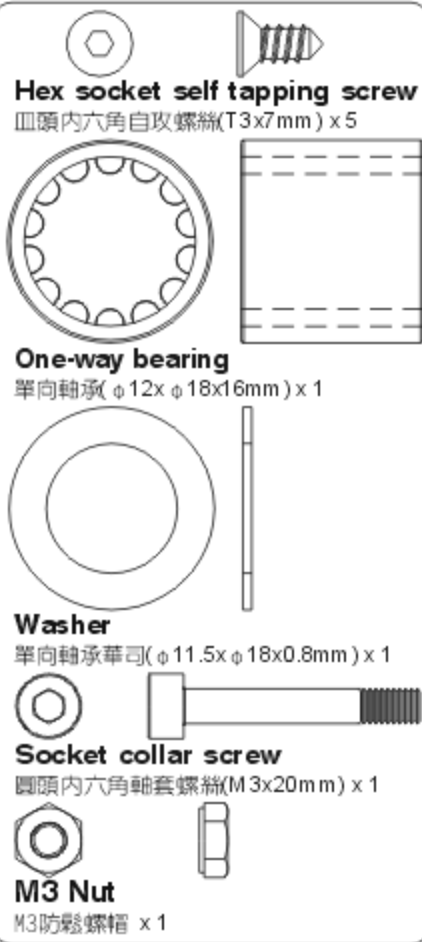
Linkage rod(C)
Approx. 66mm $\times 2$
連桿(C)約66mm $\times 2$

Linkage rod(B)
Approx. 39.5mm $\times 2$
連桿(B)約39.5mm $\times 2$

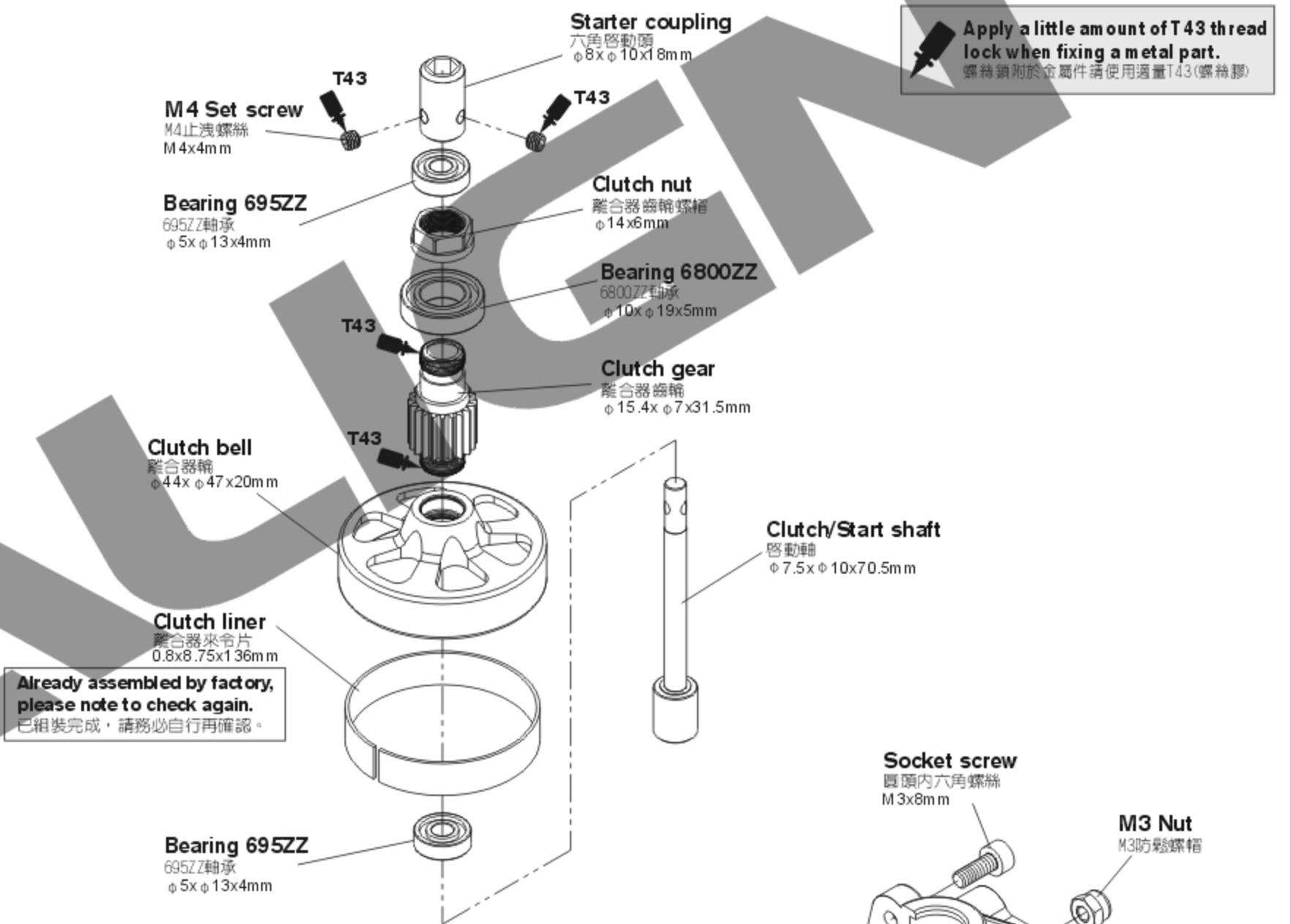
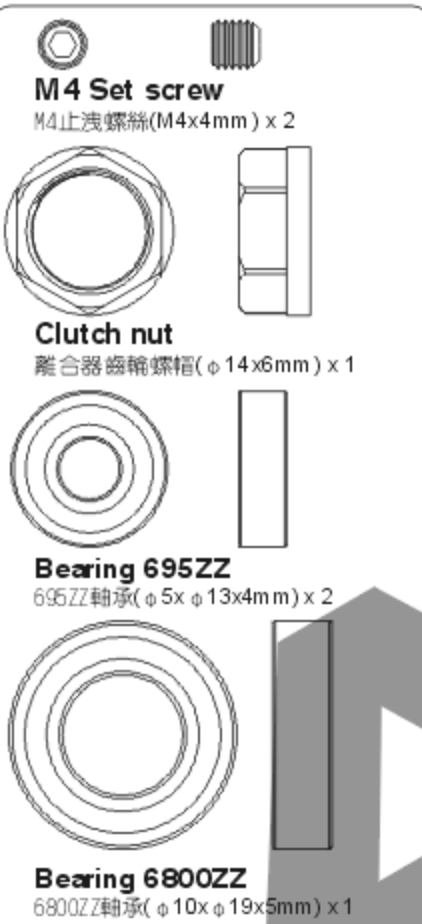


Make sure both sides are equal in length.
請保持平衡桿兩邊長度相等。

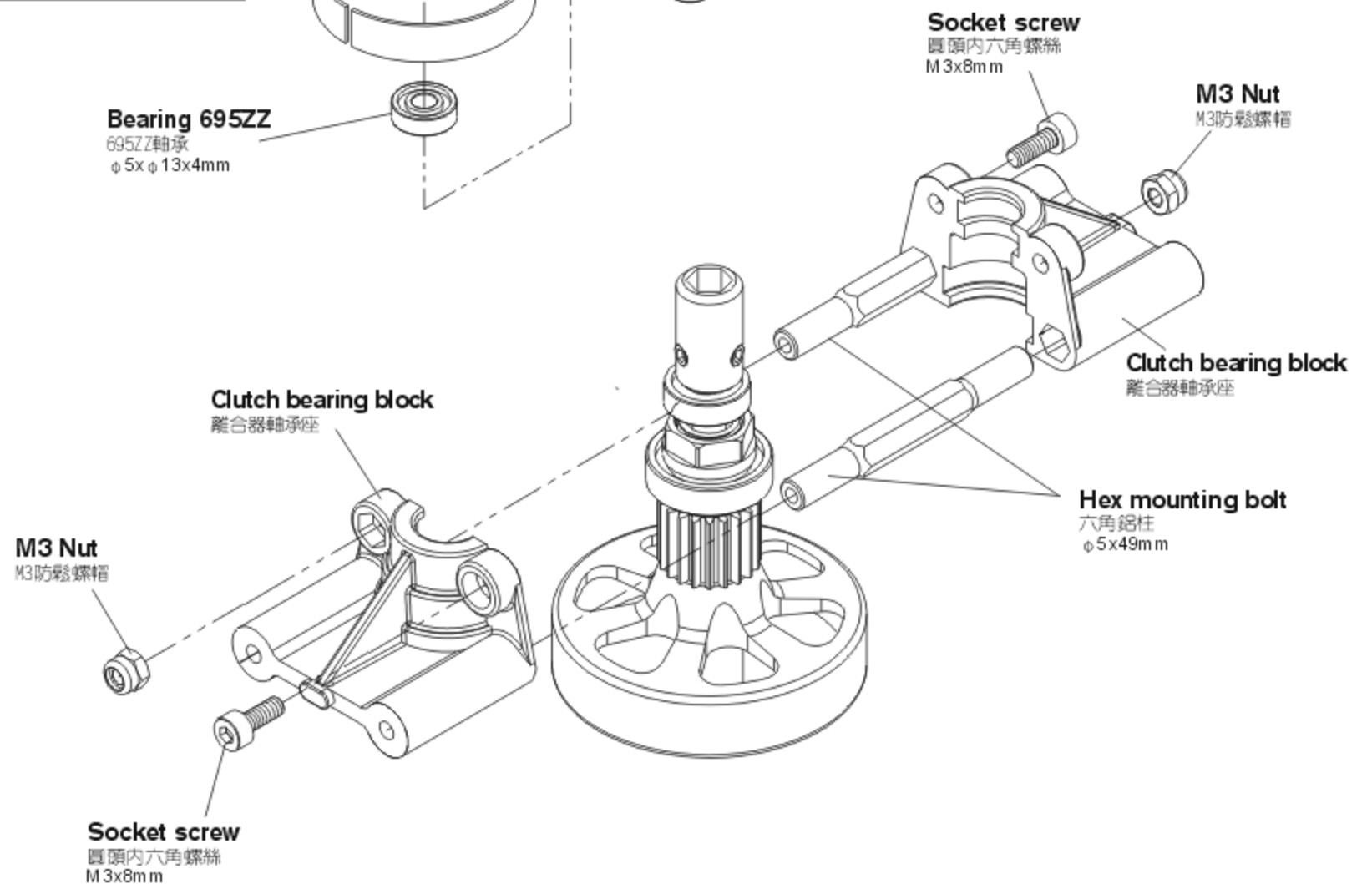
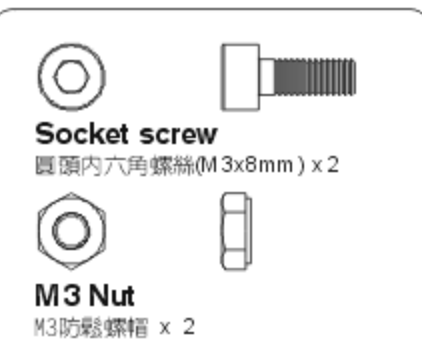
600NB3



600NB4A



600NB4B



600NB1C

Linkage ball A(T2.6x3.5)
球頭A(T2.6x3.5) (φ4.75x8.18mm) x 1

Linkage ball B(T2.6x5.5)
球頭B(T2.6x5.5) (φ4.75x12.27mm) x 1

Socket button head self tapping screw
半圓頭內六角自攻螺絲(T3x10mm) x 2

Socket button head collar screw
半圓頭內六角軸套螺絲(M3x10mm) x 12

Socket screw
圓頭內六角螺絲(M3x8mm) x 10

Socket screw
圓頭內六角螺絲(M3x10mm) x 4

Socket button head screw
半圓頭內六角螺絲(M3x12mm) x 1

Washer
華司(φ3xφ4.8x0.3mm) x 2

M3 Specialty washer
M3特殊華司(φ3xφ8x2mm) x 16

M3 Washer
M3華司(φ3xφ8x1mm) x 2

600NB1A

Bearing 6800ZZ
6800ZZ軸承(φ10xφ19x5mm) x 2

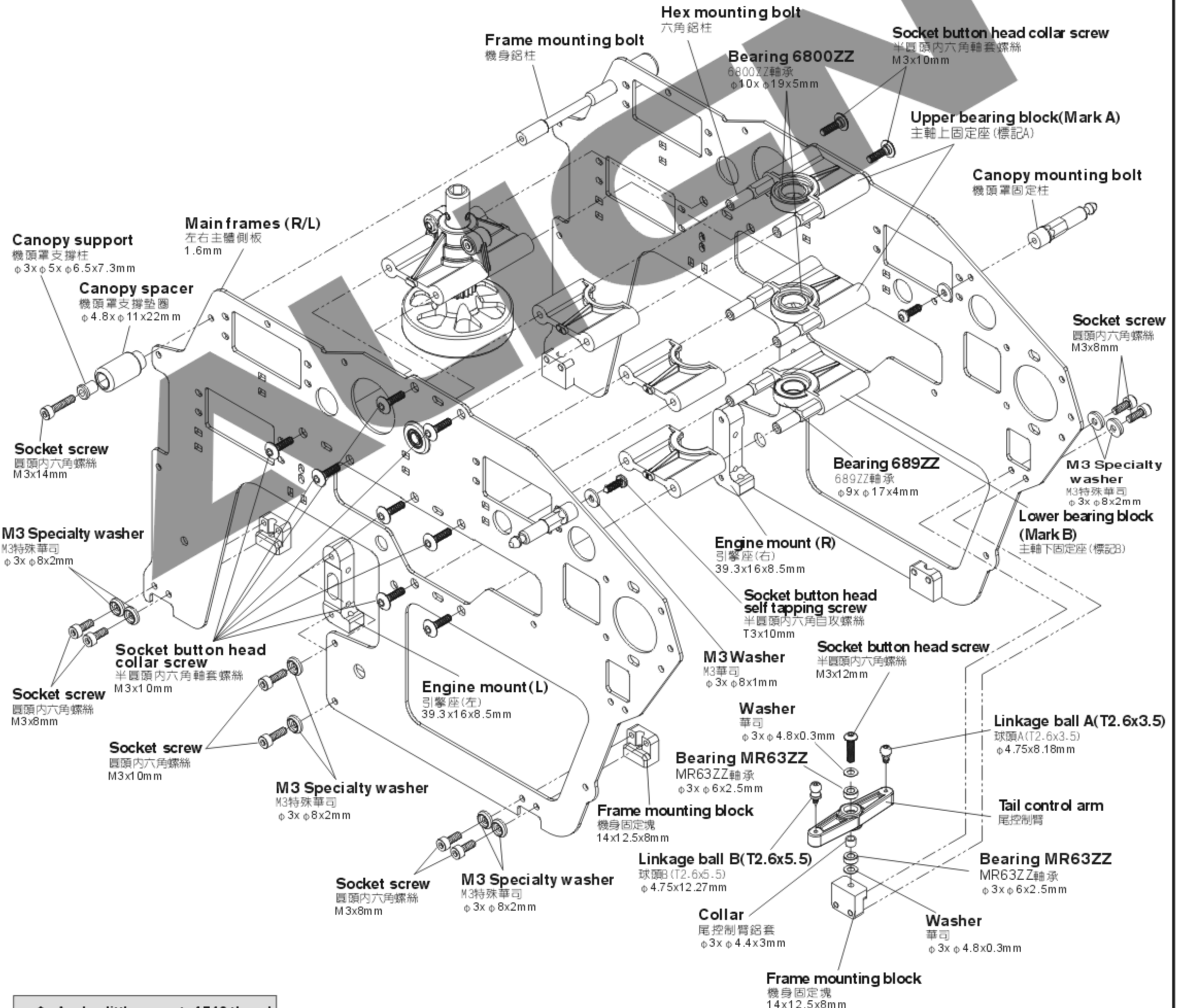
Bearing 689ZZ
689ZZ軸承(φ9xφ17x5mm) x 1

Socket screw
圓頭內六角螺絲(M3x14mm) x 2

Collar
尾控制臂鋁套(φ3xφ4.4x3mm) x 1

600NB4B

Socket button head collar screw
半圓頭內六角軸套螺絲(M3x10mm) x 4

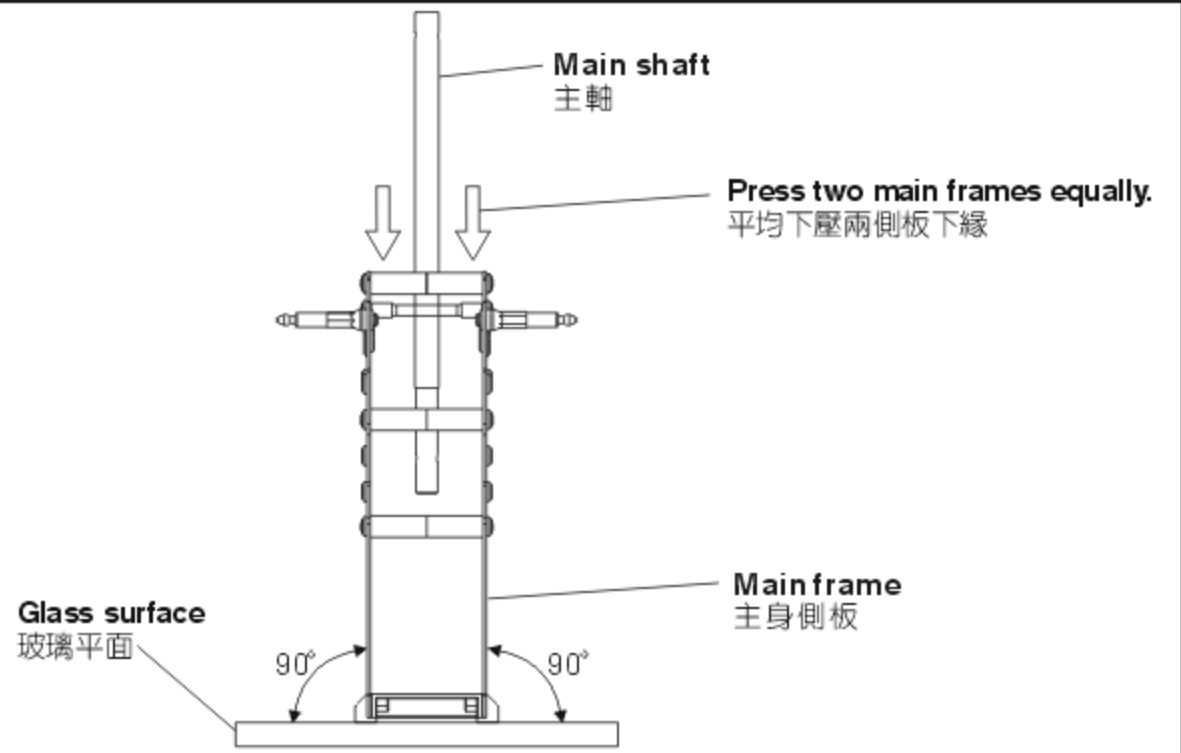


Apply a little amount of T43 thread lock when fixing a metal part.
螺絲鎖附於金屬件請使用適量T43(螺絲膠)

Main frame assembly point:

First do not fully tighten the screws of main frames and put three bearings through the main shaft to check if the movements are smooth. The bottom bracket must be firmly touched the level table top (glass surface); please keep the smooth movements on main shaft and level bottom bracket, then slowly tighten the screws. This assembly can help for the power and flight performance.

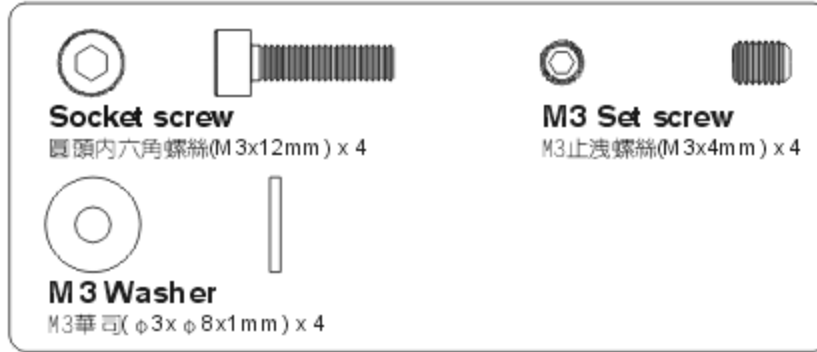
機身側板組立重點：
側板螺絲先不完全鎖緊，放入主軸貫穿三顆軸承確認上下移動必需滑順，主體底板必須與水平桌面（玻璃平面）踏實緊貼；請保持主軸滑順與底板平行桌面後慢慢鎖緊螺絲。正確側板的組裝對動力與飛行性能有顯著幫助。



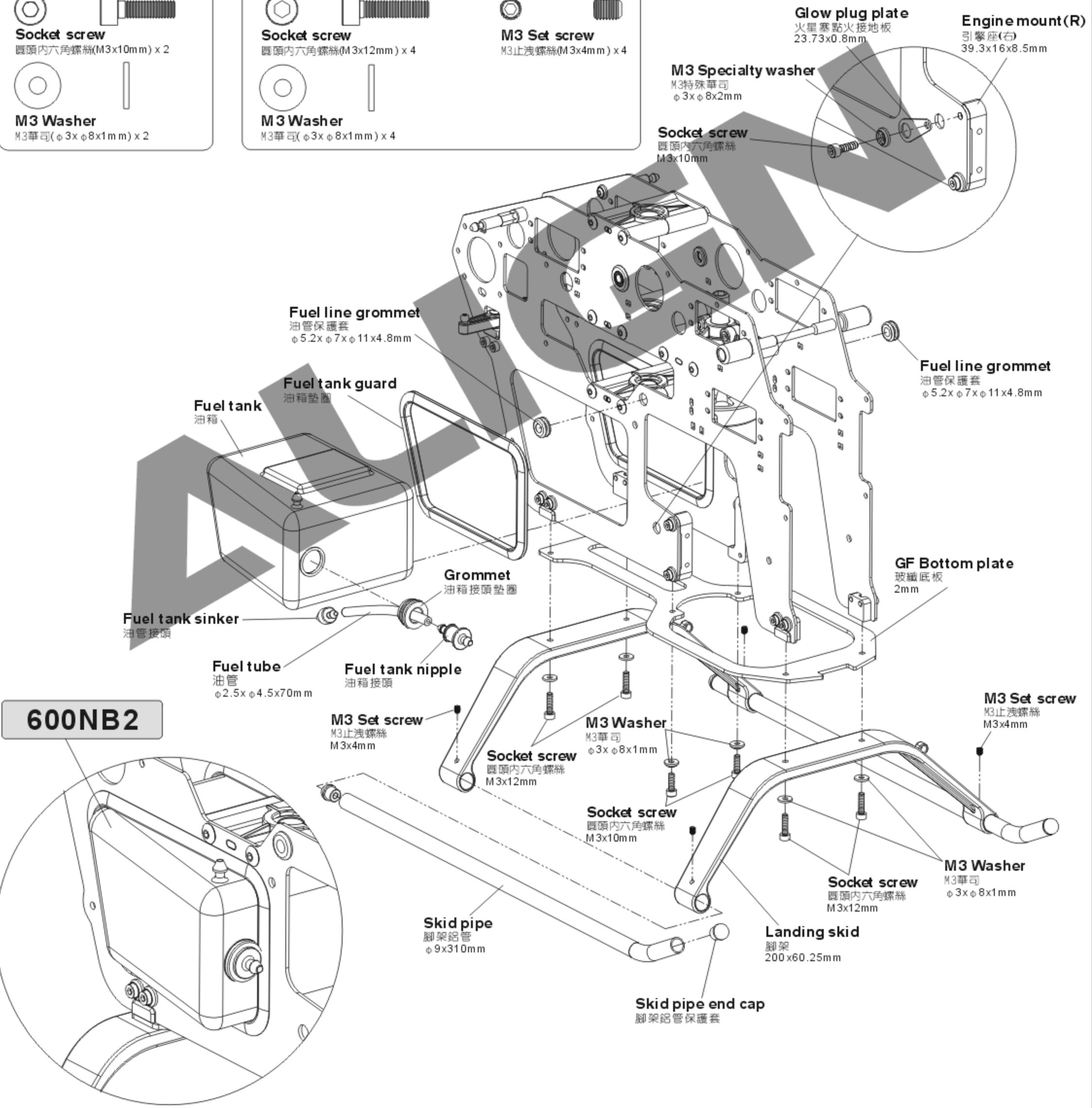
600NB1C



600NG1



Apply a little amount of T43 thread lock when fixing a metal part.
螺絲鎖附於金屬件請使用適量T43(螺絲膠)



600NB4A



Socket screw

圓頭內六角螺絲(M3x12mm) x 2



Socket head spring screw

圓頭內六角彈簧螺絲(M4x8mm) x 2



Socket button head screw

半圓頭內六角螺絲(M3x5mm) x 2



Socket button head screw

半圓頭內六角螺絲(M4x5mm) x 2

600NB4B



M3 Washer

M3華司(φ3xφ8x1mm) x 4



M3 Specialty washer

M3特殊華司(φ3xφ8x2mm) x 4



Socket screw

圓頭內六角螺絲(M3x14mm) x 4



Socket button head self tapping screw

半圓頭內六角自攻螺絲(T3x10mm) x 4

Receiver mount

接收器座

M3 Specialty washer

M3特殊華司
φ3xφ8x2mm

M3 Specialty washer

M3特殊華司
φ3xφ8x2mm

Socket button head self tapping screw

半圓頭內六角自攻螺絲
T3x10mm

Socket button head self tapping screw

半圓頭內六角自攻螺絲
T3x10mm

M3 Specialty washer

M3特殊華司
φ3xφ8x2mm

Socket button head self tapping screw

半圓頭內六角自攻螺絲
T3x10mm

Socket screw

圓頭內六角螺絲
M3x14mm

M3 Washer

M3華司
φ3xφ8x1mm

600NB1C



M3 Specialty washer

M3特殊華司(φ3xφ8x2mm)x4



Socket button head self tapping screw

半圓頭內六角自攻螺絲(T3x10mm)x4

Socket head spring screw

圓頭內六角彈簧螺絲
M4x8mm

Clutch

離合器
φ35xφ42x12mm

Engine fan mount

引擎風扇座

M6 Nut(supplied with 50 engine)

50引擎隨附M6螺帽

Engine fan cover (L)

引擎風扇蓋(左)

Socket screw

圓頭內六角螺絲
M3x12mm

Engine fan

引擎風扇

Magnet (Governor sensor)

定速感應磁鐵

Washer(supplied with 50 engine)

50引擎隨附華司
φ9.5xφ14x1mm

Socket screw

圓頭內六角螺絲
M3x12mm

Engine fan cover (R)

引擎風扇蓋(右)

Socket button head screw

半圓頭內六角螺絲
M3x5mm

Socket button head screw

半圓頭內六角螺絲
M4x5mm

Hex mounting bolt

六角柱

Option equipment: 50Engine

另購: 50引擎

Clutch

離合器
φ35xφ42x12mm

Engine fan

引擎風扇

Socket screw

圓頭內六角螺絲
M3x12mm

Engine fan mount

引擎風扇座

Washer(supplied with 50 engine)

50引擎隨附華司
φ9.5xφ14x1mm

Mount the engine fan mount on the washer.

引擎風扇座貼於華司面。

Option equipment: 50Engine

另購: 50引擎

After install the engine into the model, please loosen the fixing screw and adjust the carburetor and the engine are at an angle of 90°(Vertical).

引擎裝入機體後請鬆開固定螺絲將化油器調成與引擎垂直。



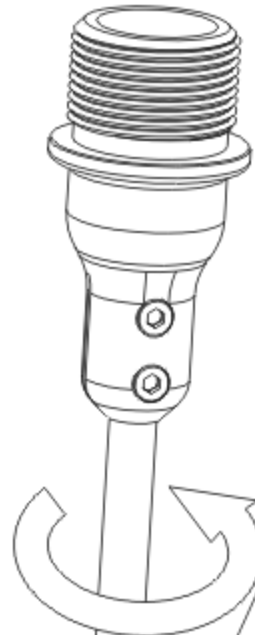
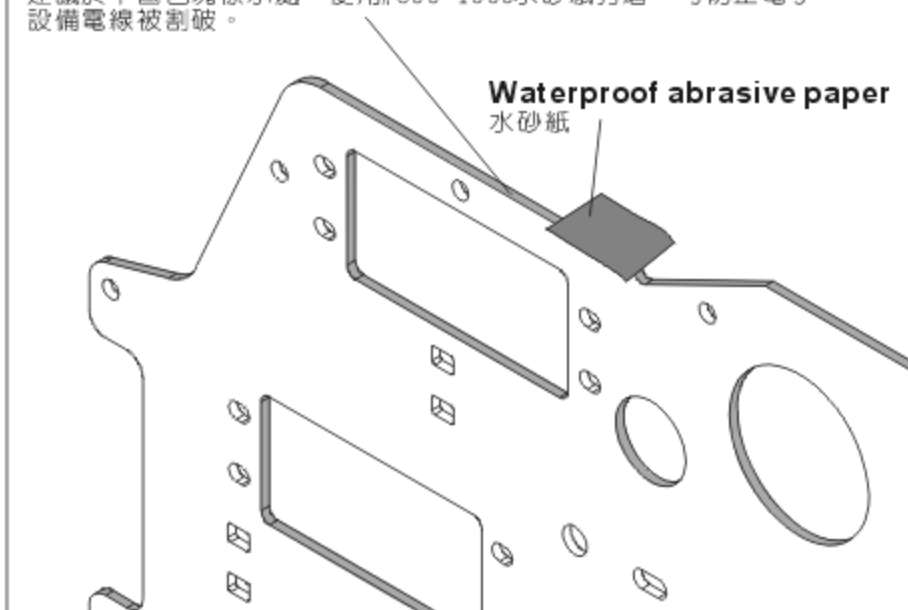
Apply a little amount of T43 thread lock when fixing a metal part.
螺絲鎖附於金屬件請使用適量T43(螺絲膠)

Fan cover fixing Tip
風扇罩固定要領

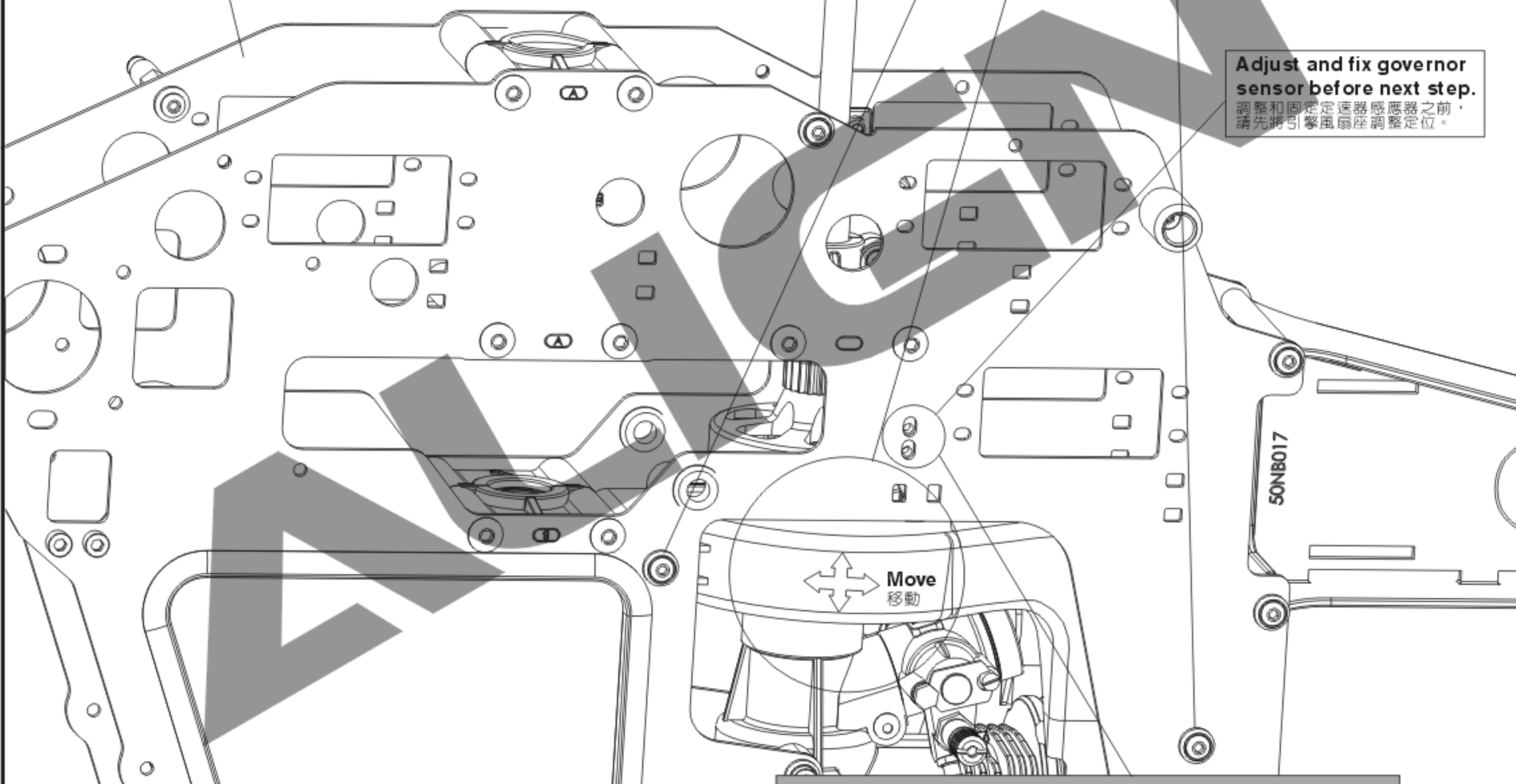
Before fixing the engine fan cover, please use a Starter to rotate the fan and move the fan cover. It is to make sure no any interference, and then secure the fan cover with a fixing screw.
鎖緊固定引擎散熱風罩前,請先使用啓動棒轉動風扇,並移動風扇罩,確認在風扇無碰觸風扇罩後才鎖緊風扇罩固定螺絲。

Recommend sanding the marked position as below illustration with a waterproof abrasive paper(#800-1000) to avoid the wires of electric parts to be cut.

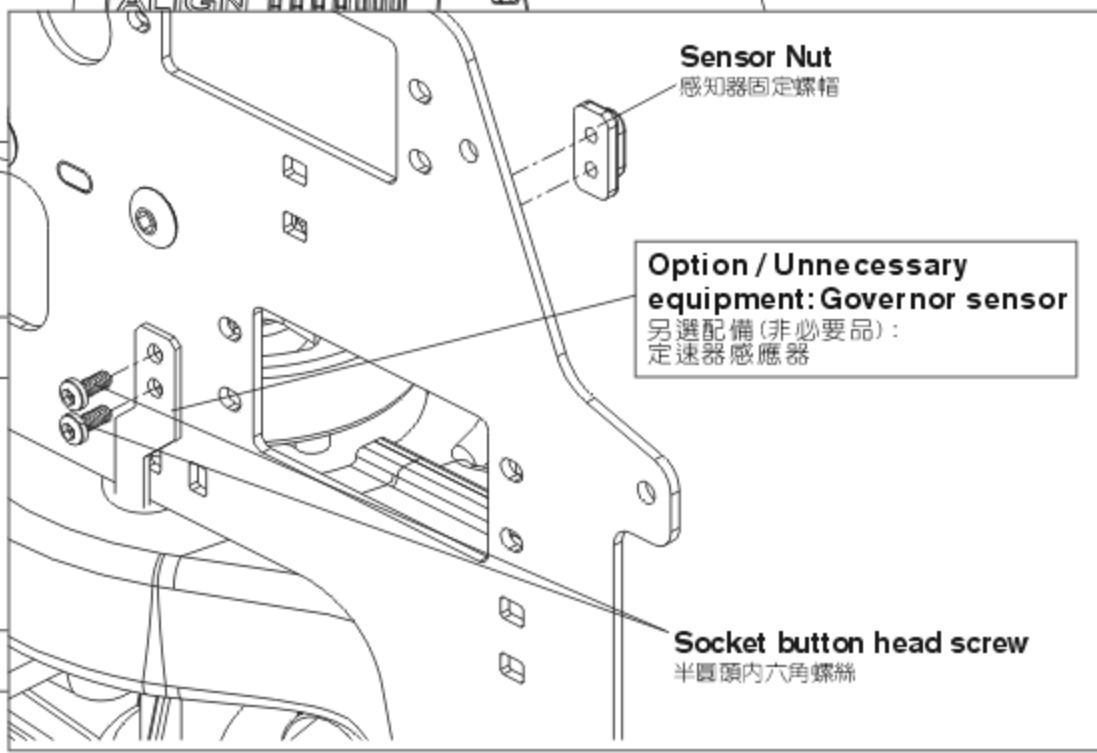
建議於下圖色塊標示處,使用#800-1000水砂紙打磨,可防止電子設備電線被割破。



Adjust and fix governor sensor before next step.
調整和固定定速器感應器之前,請先將引擎風扇座調整定位。



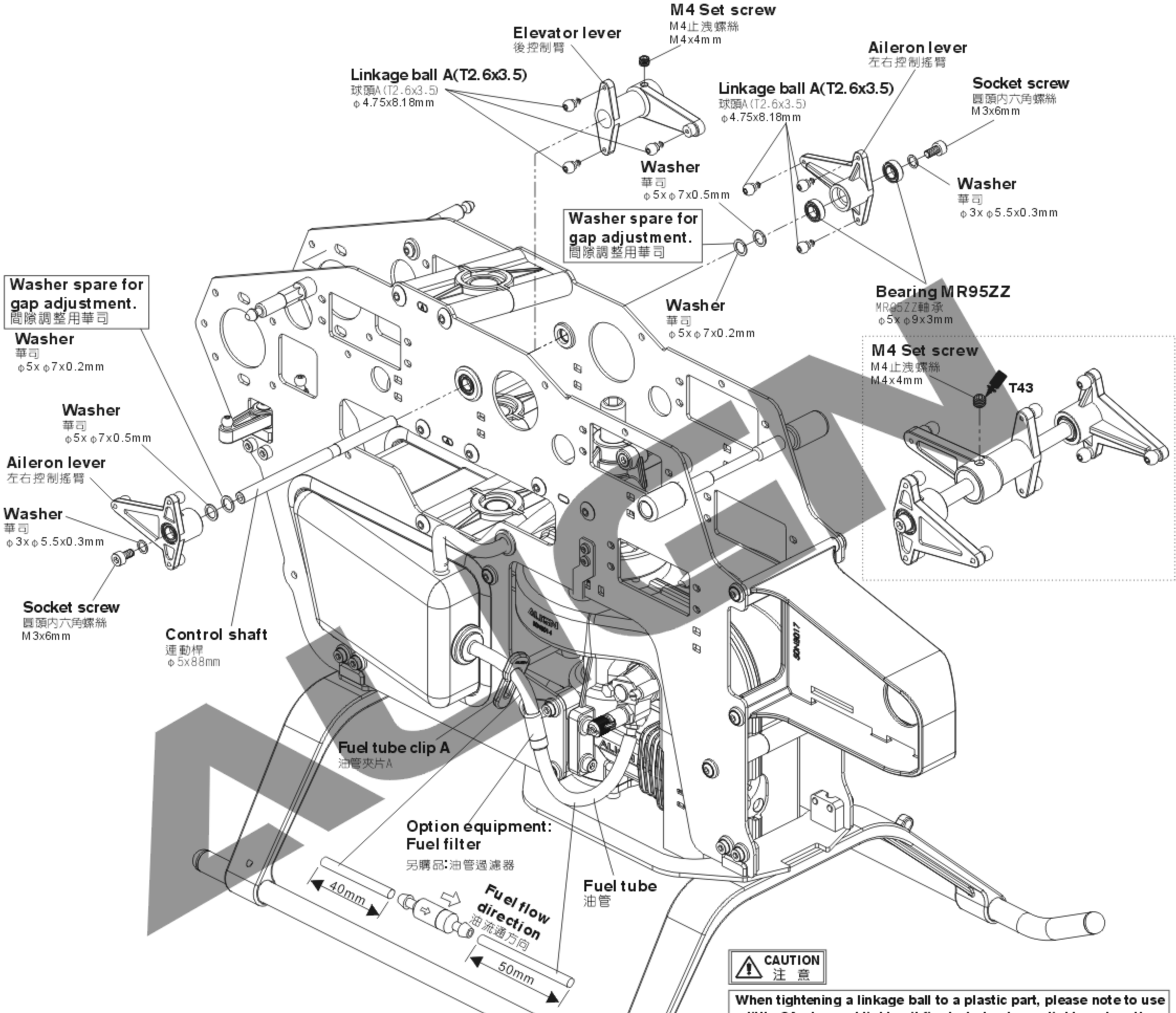
Governor sensor Instruction 定速器感應器組立說明



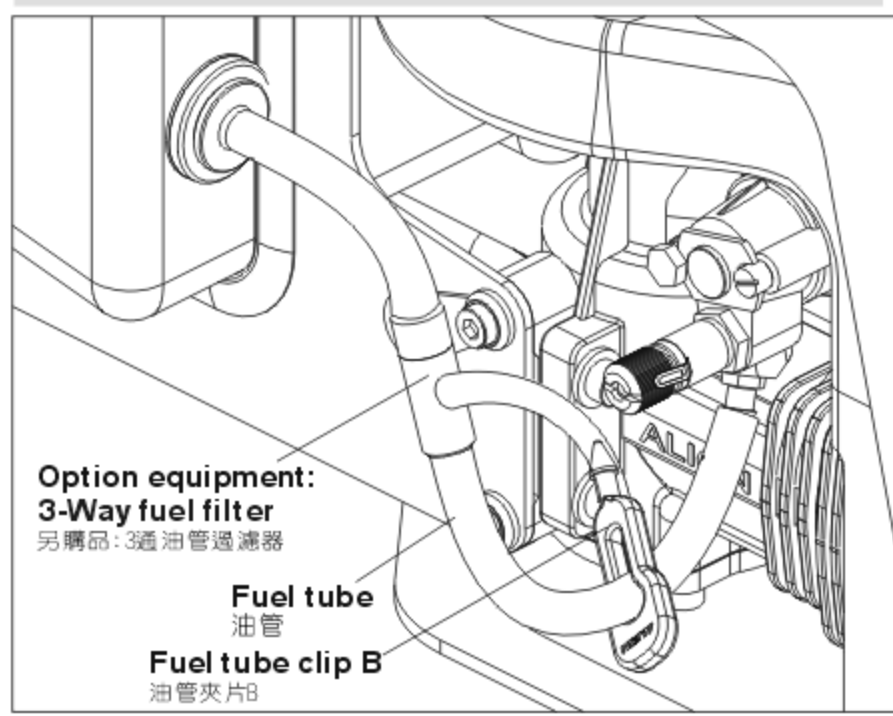
600NB1B

Apply a little amount of T43 thread lock when fixing a metal part.
螺絲鎖附於金屬件請使用適量T43(螺絲膠)

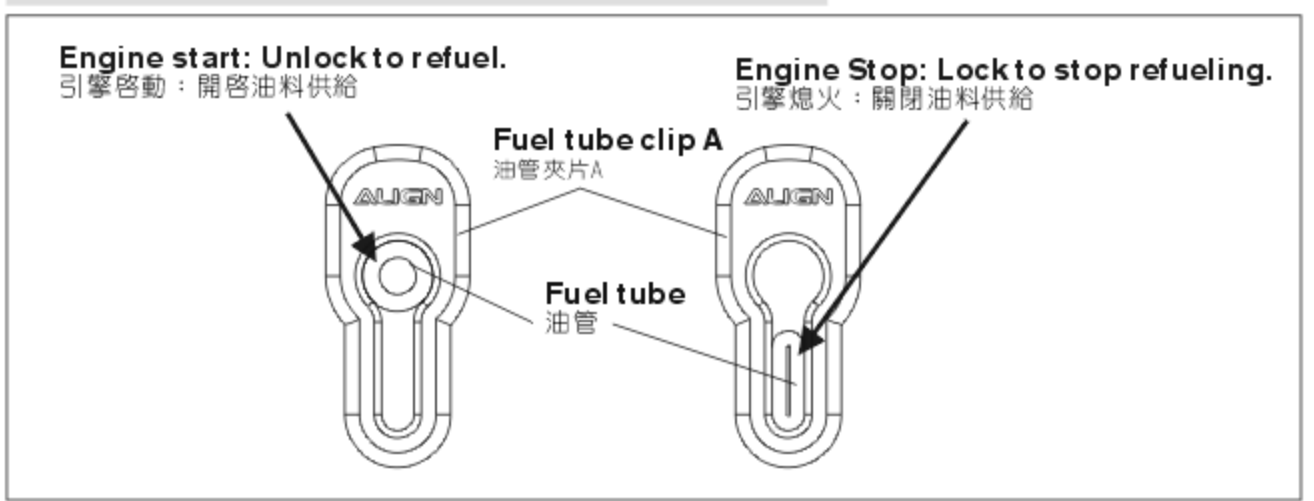
Linkage ball A(T2.6x3.5) 球頭A(T2.6x3.5) (φ4.75x8.18mm) x 9	Washer 華司(φ5xφ7x0.5mm) x 2	Washer 華司(φ3xφ5.5x0.3mm) x 2	Bearing MR95ZZ MR95ZZ軸承(φ5xφ9x3mm) x 4
Socket screw 圓頭內六角螺絲(M3x6mm) x 2	Washer 華司(φ5xφ7x0.2mm) x 2	M4 Set screw M4止洩螺絲(M4x4mm) x 1	



FUEL TUBE CLIP B ILLUSTRATION 油管夾片B使用說明



FUEL TUBE CLIP ILLUSTRATION 油管夾片使用方法



CAUTION 注意
When tightening a linkage ball to a plastic part, please note to use a little CA glue and tighten it firmly, but not over tightened, or they will strip.
球頭鎖入塑膠件請務必注意，使用少量CA膠並適當扭力鎖緊即可，而過緊的扭力可能會導致滑牙。

600NZ4

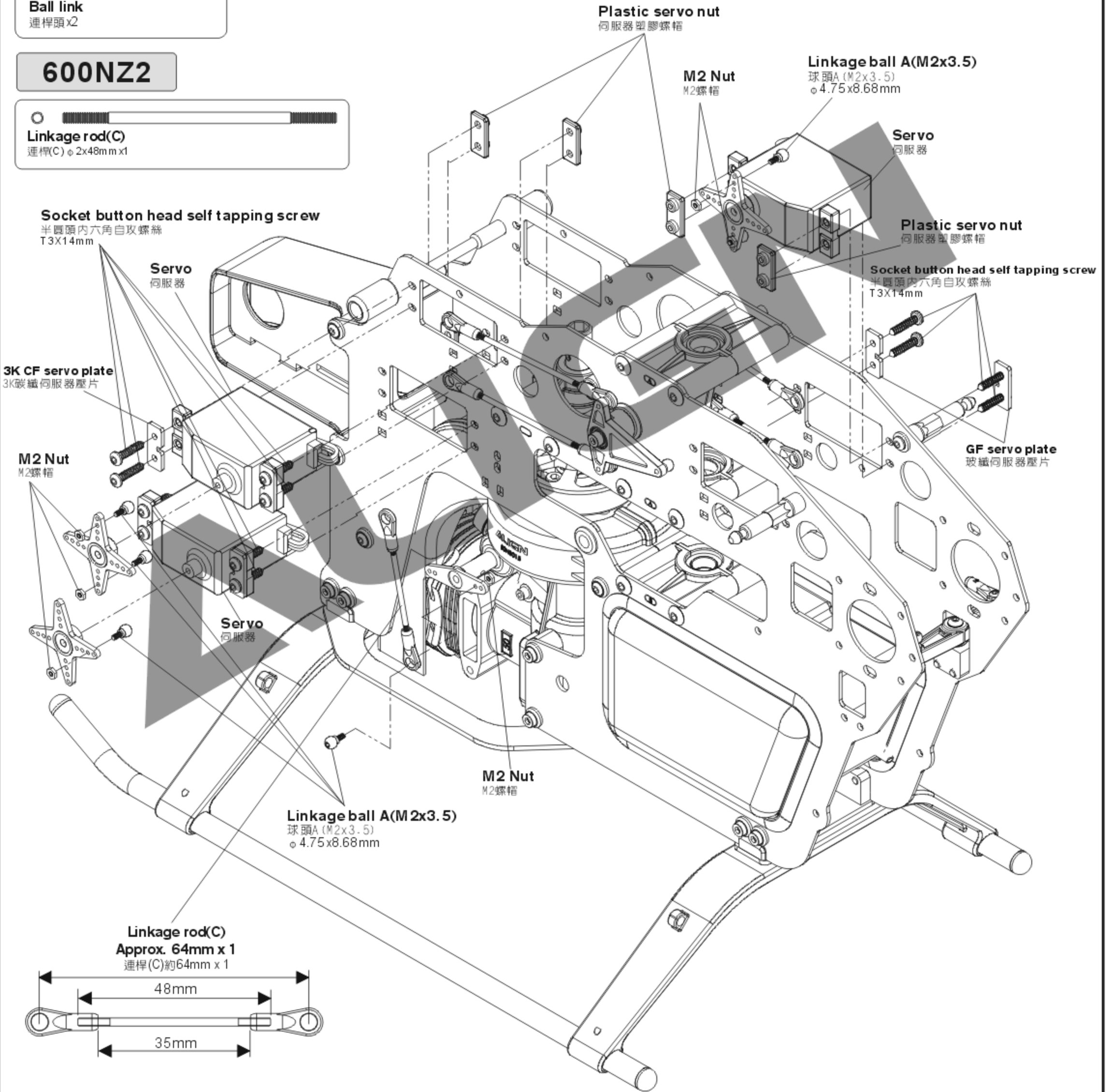
- Linkage ball A(M2x3.5)**
球頭A (M2x3.5) (φ 4.75x8.68mm) x 6
- Socket button head self tapping screw**
半圓頭內六角自攻螺絲(T3X14mm) x 12
- M2 Nut**
M2螺帽 x 6

600NZ2A

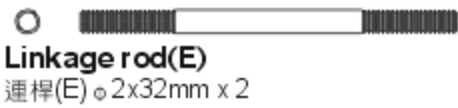
- Ball link**
連桿頭x2

600NZ2

- Linkage rod(C)**
連桿(C) φ 2x48mm x 1



600NZ2

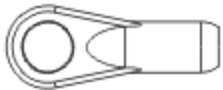


Linkage rod(E)
連桿(E) $\phi 2 \times 32\text{mm} \times 2$



Linkage rod(G)
連桿(G) $\phi 2 \times 61\text{mm} \times 4$

600NZ2A



Ball link
連桿頭 $\times 12$

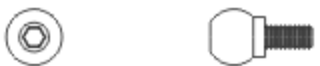
600NZ4



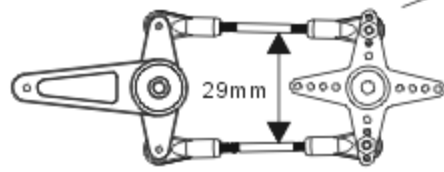
Socket button head self tapping screw
半圓頭內六角自攻螺絲(T3X14mm) $\times 8$



M2 Nut
M2螺帽 $\times 3$



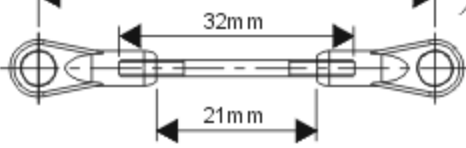
Linkage ball A(M2x3.5)
球頭A (M2x3.5) ($\phi 4.75 \times 8.68\text{mm}$) $\times 3$



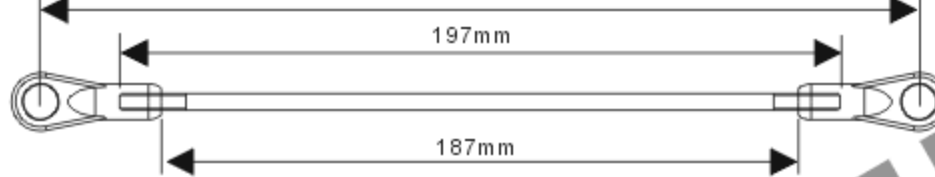
Keep parallel
保持平行

Linkage rod(E)
Approx. 50mm $\times 2$

連桿(E)約50mm $\times 2$

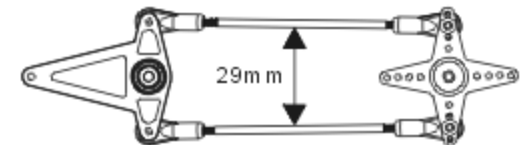
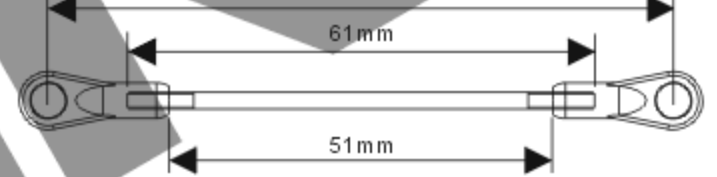


Tail rudder control rod A
Approx. 216mm $\times 1$
尾舵控制連桿A 216mm $\times 1$



600NT3B

Linkage rod(G)
Approx. 80mm $\times 4$
連桿(G)約80mm $\times 4$



Keep parallel
保持平行

Fuel tube cap
油管保護套

Servo
伺服器

Linkage ball A(M2x3.5)
球頭A (M2x3.5)
 $\phi 4.75 \times 8.68\text{mm}$

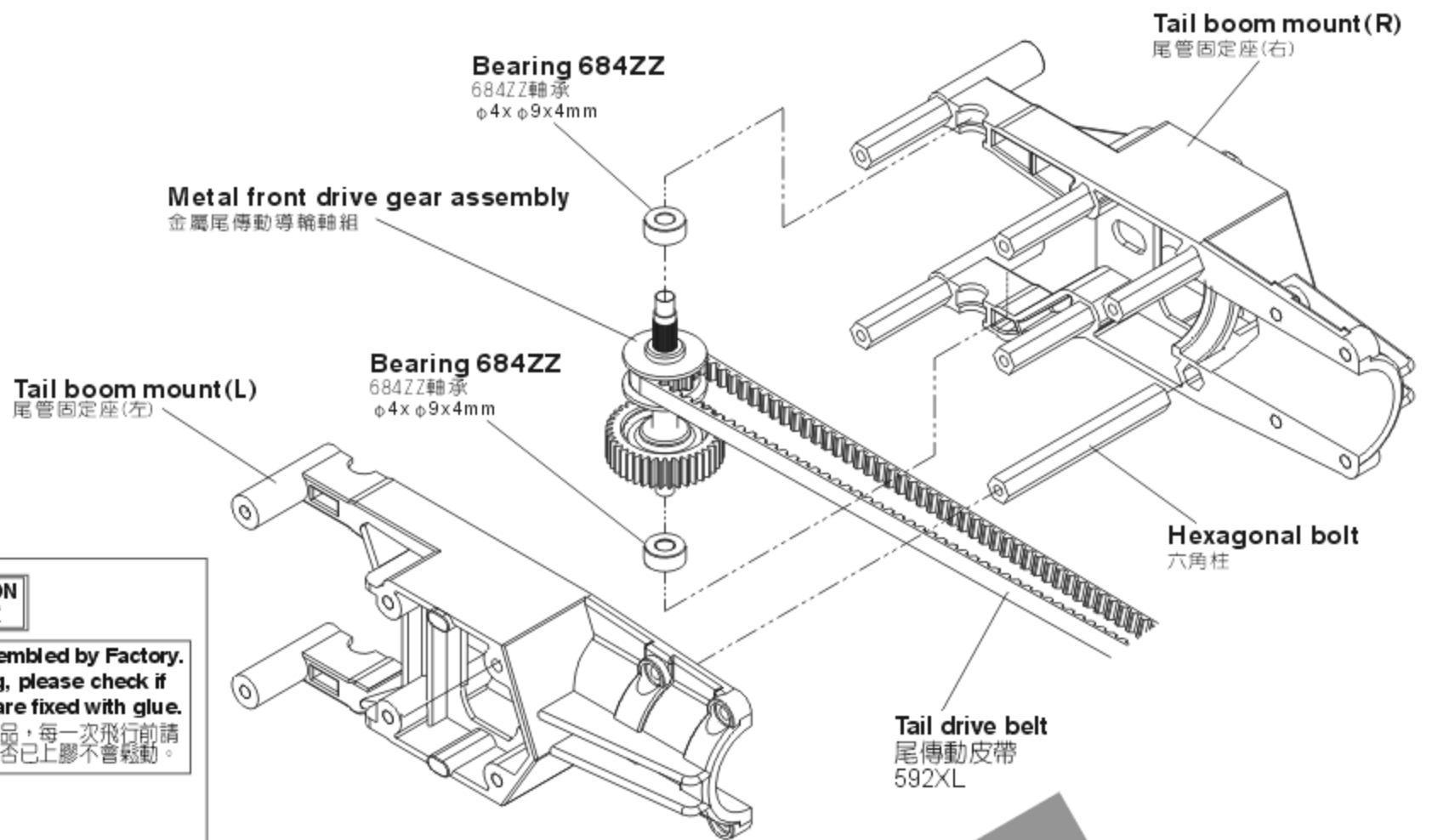
Nut
M2螺帽

Linkage ball A(M2x3.5)
球頭A (M2x3.5)
 $\phi 4.75 \times 8.68\text{mm}$

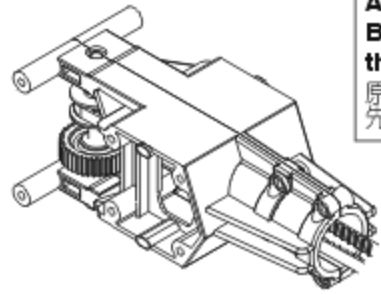
Nut
M2螺帽

Servo
伺服器

600NT4



Already assembled by Factory.
Before flying, please check if
the screws are fixed with glue.
原裝相裝完成品，每一次飛行前請
先確認螺絲是否已上膠不會鬆動。



600NT2H



600NT2GA



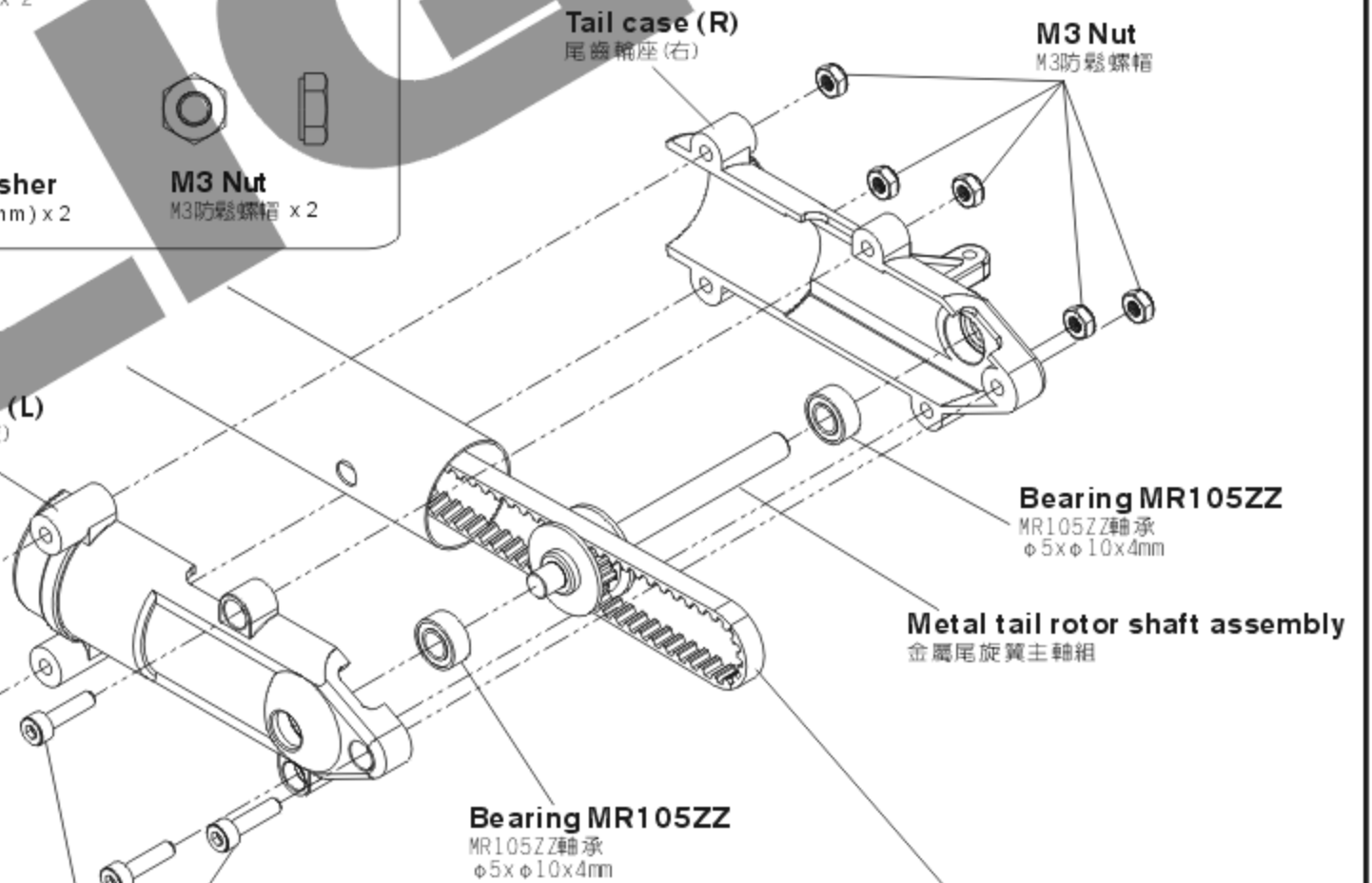
Apply a little amount of T43 thread
lock when fixing a metal part.
螺絲鎖劑於金屬件請使用適量T43(螺絲膠)



3K GF Vertical stabilizer
3K 玻纖垂直翼

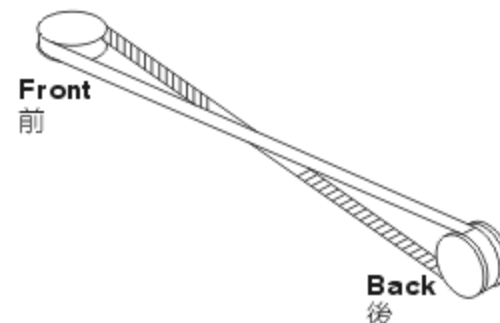
600NT2G

Tail case (L)
尾殼輪座(左)



Please do not bend or scrape the
drive belt to reduce damage risk.
請勿折彎或刮傷皮帶以降低損壞風險。

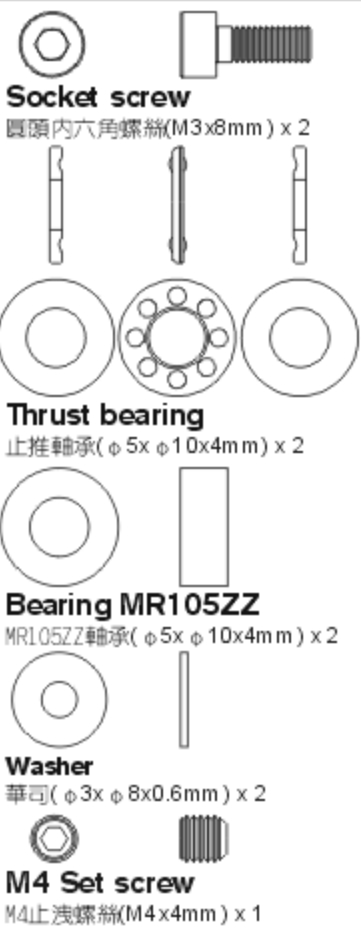
Drive belt illustration 尾傳動皮帶裝配圖示



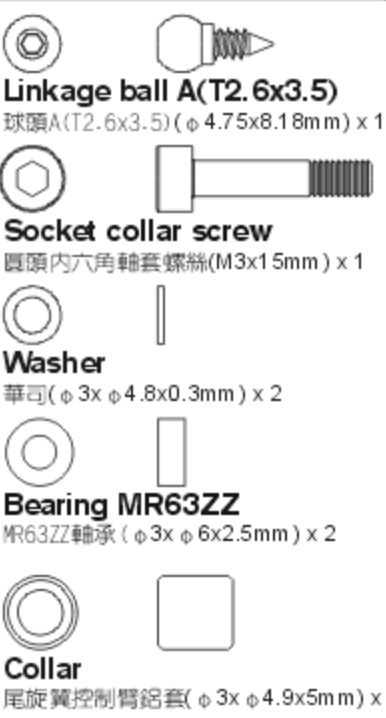
1. Check to rotate the belt 90 degrees when assembling.
2. Belt tension: Recommend to lightly tighten the drive belt after assembling tail boom to avoid vibration, belt friction and rotation slip.

1. 組裝時確認皮帶順轉90°。
2. 皮帶緊度: 建議尾管組裝後皮帶請稍微拉緊, 避免震動皮帶摩擦或轉動打滑。

600NT2F



600NT2C



600NT2D

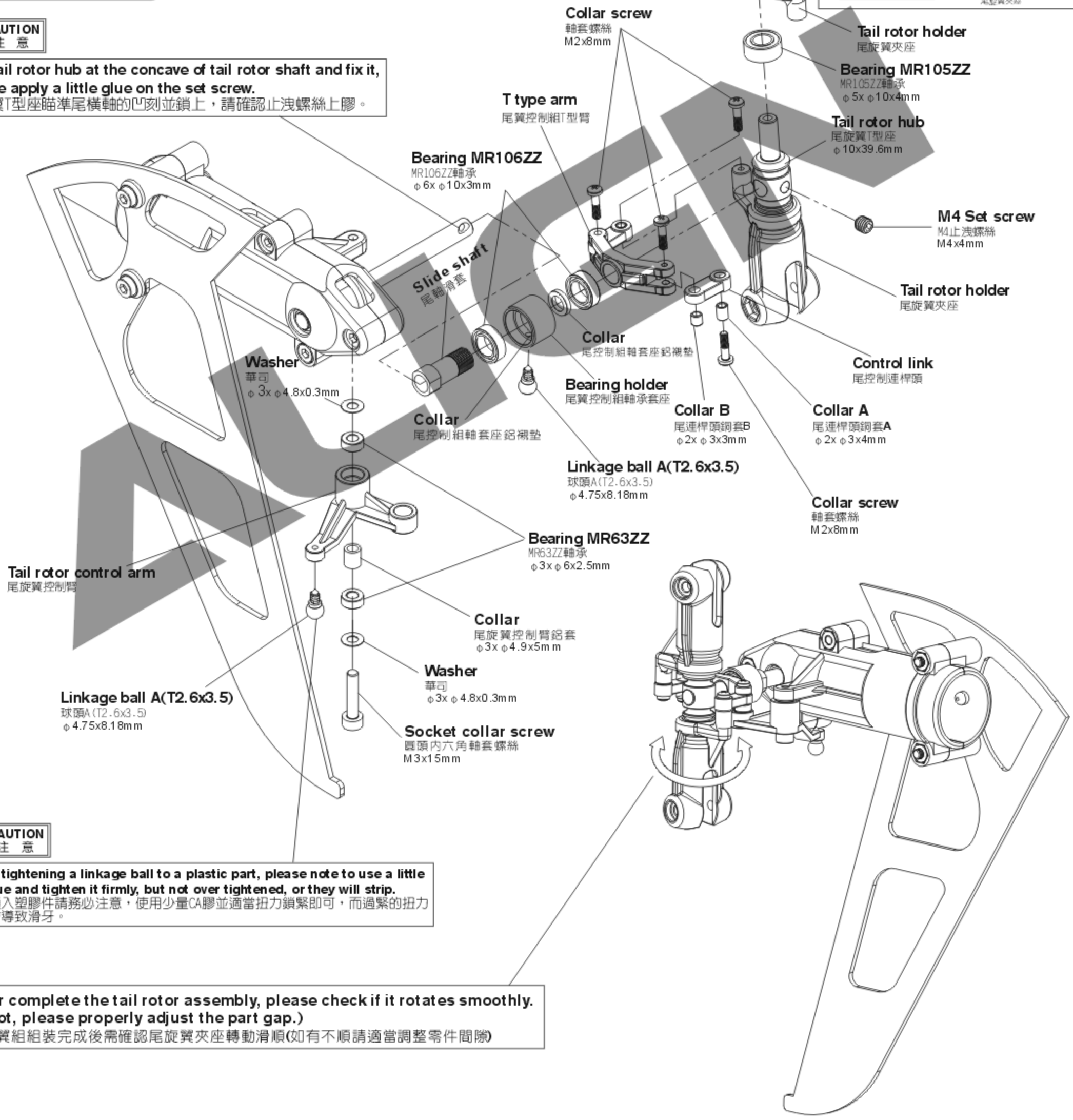
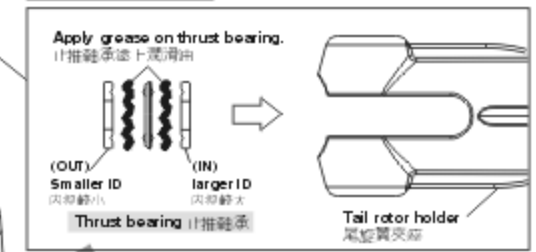


Apply a little amount of T43 thread lock when fixing a metal part.
螺絲鎖附於金屬件請使用適量T43(螺絲膠)

CAUTION
注意

Aim tail rotor hub at the concave of tail rotor shaft and fix it, please apply a little glue on the set screw.
尾旋翼T型座瞄準尾橫軸的凹刻並鎖上，請確認止洩螺絲上膠。

CAUTION
注意



CAUTION
注意

When tightening a linkage ball to a plastic part, please note to use a little CA glue and tighten it firmly, but not over tightened, or they will strip.
球頭鎖入塑膠件請務必注意，使用少量CA膠並適當扭力鎖緊即可，而過緊的扭力可能會導致滑牙。

After complete the tail rotor assembly, please check if it rotates smoothly. (If not, please properly adjust the part gap.)
尾旋翼組裝完成後需確認尾旋翼夾座轉動滑順(如有不順請適當調整零件間隙)



CAUTION
注意

Aim the opening of tail boom at the convex of the case and insert.
瞄準尾管上的凹槽和尾座凸出，並插入。

Already assembled by factory,
please note to check again.
已組裝完成，請務必自行再確認。

Please insert the opening
of tail boom into the convex.
尾管缺口方向裝入時，請導入
導尾管座卡榫內。

Socket butt on head self tapping screw
半圓頭內六角自攻螺絲
T3x14mm

M3 Specialty washer
M3特殊華司
φ3xφ8x2mm

Socket collar screw
圓頭內六角軸套螺絲
M3x20mm

Socket screw
圓頭內六角螺絲
M3x12mm

M3 Nut
M3防鬆螺帽

3K GF Horizontal stabilizer
3K玻纖水平翼

Plastic tail blade
塑膠尾旋翼

Ball link
連桿頭

Tail boom brace
尾管支撐架

Stabilizer mount (Upper)
水平翼固定座(上)

Tail rudder control rod B
尾舵控制連桿B
φ1.97x657mm

Tail boom brace
尾管支撐架

Tail boom
尾管 625mm

Tail control guide
尾控制桿固定環

M3 Nut
M3防鬆螺帽

Tail boom brace end
尾支撐架接頭

Before assembling, please wrap the tail boom
with a scotch tape (Thickness 0.03~0.05mm)
to avoid the mount slipping.
安裝前請先用透明膠帶(0.03-0.05mm厚)包裹尾管，可防止固定
座滑動。

M3 Specialty washer
M3特殊華司
φ3xφ8x2mm

Socket butt on head
self tapping screw
半圓頭內六角自攻螺絲
T3x10mm

Stabilizer mount (Lower)
水平翼固定座(下)

Ball link
連桿頭

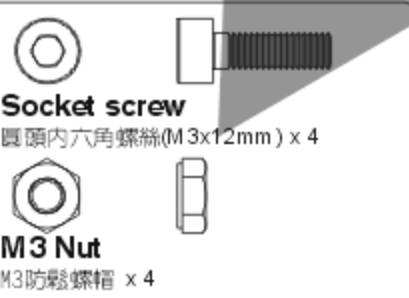
Tail boom brace end
尾支撐架接頭

3K GF Vertical stabilizer
3K玻纖垂直翼

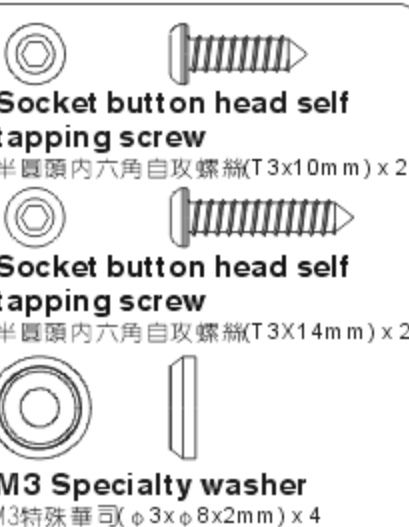
600NT2F



600NT1A



600NT2GA



600NB1A



Socket screw

圓頭內六角螺絲(M3x12mm) x 2

600NB1C



M3 Specialty washer

M3特殊華司(φ3xφ8x2mm) x 2

600NT1A



Socket button head self tapping screw

半圓頭內六角自攻螺絲(T3x12mm) x 12



M3 Specialty washer

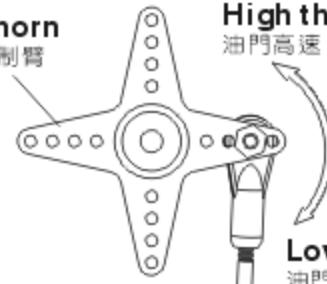
M3特殊華司(φ3xφ8x2mm) x 12

High/Low throttle speed setting

油門高/低速控制設定

Servo horn
伺服器控制臂

High throttle speed
油門高速

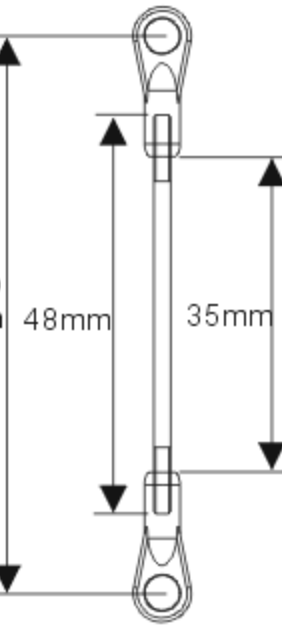


Low throttle speed
油門低速

Carburetor lever
化油器控制臂

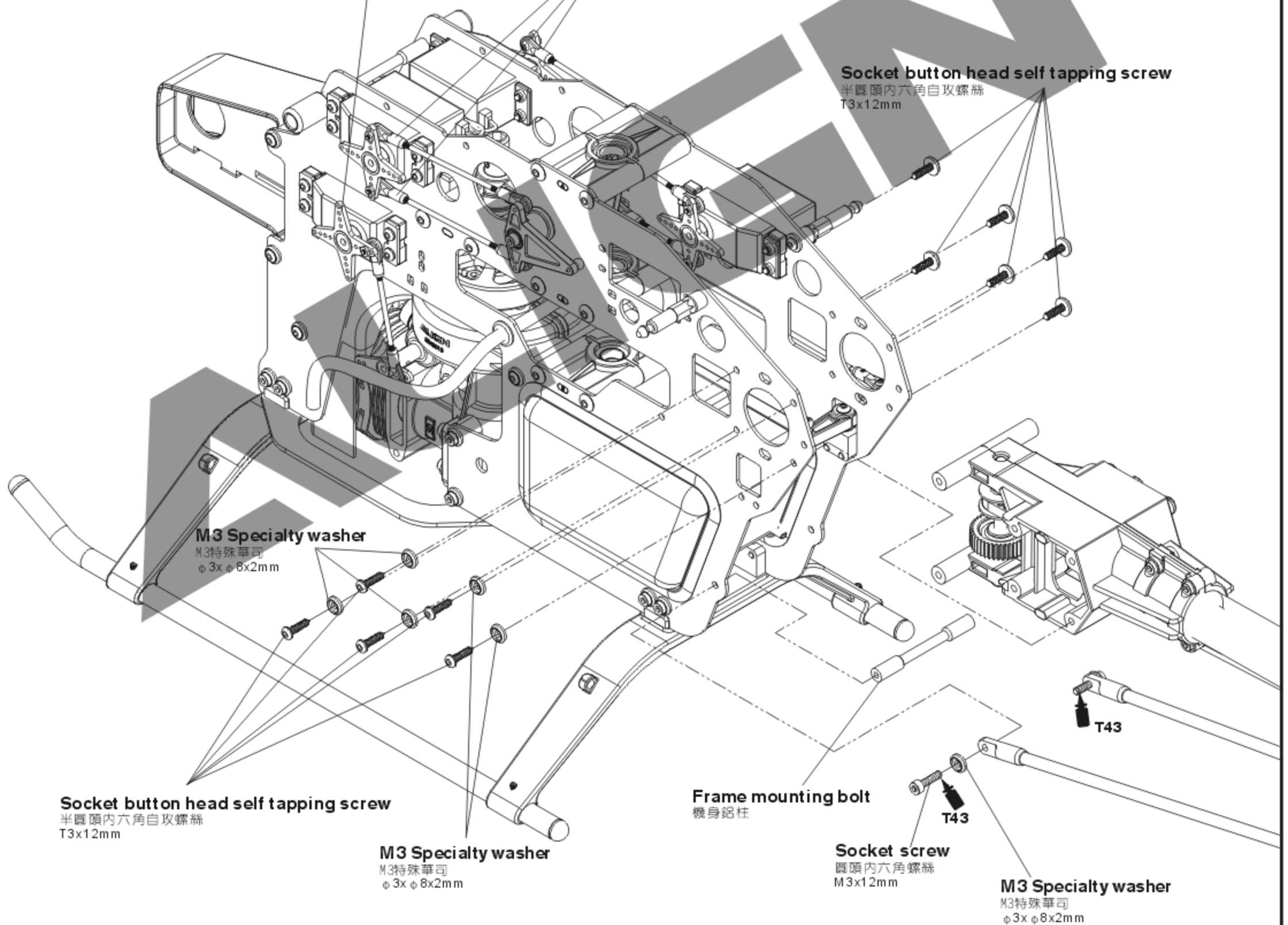


Linkage rod(C)
Approx. 64mm
連桿(C)約64mm



Please assemble the G linkage rods inside the servo horns to avoid any interference caused by the canopy.
G連桿請裝於伺服器內側確保動作時不碰觸機頭罩

Socket butt on head self tapping screw
半圓頭內六角自攻螺絲
T3x12mm



M3 Specialty washer
M3特殊華司
φ3xφ8x2mm

Socket butt on head self tapping screw
半圓頭內六角自攻螺絲
T3x12mm

M3 Specialty washer
M3特殊華司
φ3xφ8x2mm

Frame mounting bolt
機身鋁柱

Socket screw
圓頭內六角螺絲
M3x12mm

M3 Specialty washer
M3特殊華司
φ3xφ8x2mm



CAUTION
注意

When tightening a screw to a plastic part, please tighten it firmly, but not over tightened, or they will strip.
螺絲鎖入塑膠件請務必注意，適當扭力鎖緊即可，而過緊的扭力可能會導致滑牙。

600NB3



Socket collar screw
圓頭內六角軸套螺絲(M3x20mm) x 1



M3 Nut
M3防鬆螺帽 x 1

600NB1B



Socket button head self tapping screw
半圓頭內六角自攻螺絲(T3x8mm) x 2



M3 Specialty washer
M3特殊華司(φ3xφ8x2mm) x 2

When tightening the main blade fixing screw, please tighten it firmly, but not over tighten, or it may cause the damage of main blade holder and result in danger.
鎖緊主旋翼螺絲須注意適當緊度即可，過緊可能導致主旋翼夾座受損，飛行意外發生。

600NH4



M4 Set screw
M4止洩螺絲(M4x4mm) x 2

600NZ2



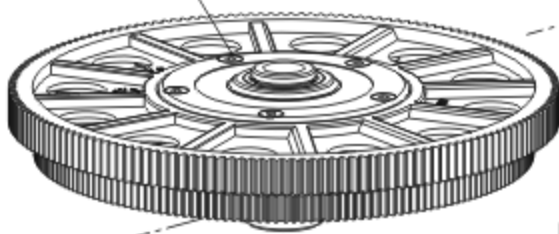
Linkage rod(D)
連桿(D)約39.5mm x 3

600NZ2A



Ball link
連桿頭 x 6

Main drive gear set
主齒輪組



M3 Nut
M3防鬆螺帽

Socket screw
圓頭內六角軸套螺絲
M3x20mm

Socket collar screw
圓頭內六角軸套螺絲
M4x27mm

M4 Nut
M4防鬆螺帽 x 2

Option equipment:600 Blade
另購:600主旋翼

Anti rotation bracket
十字盤導板

M3 Specialty washer
M3特殊華司
φ3xφ8x2mm

Socket button head self tapping screw
半圓頭內六角自攻螺絲
T3x8mm

Lock collar
主軸固定環
φ10xφ15x7mm

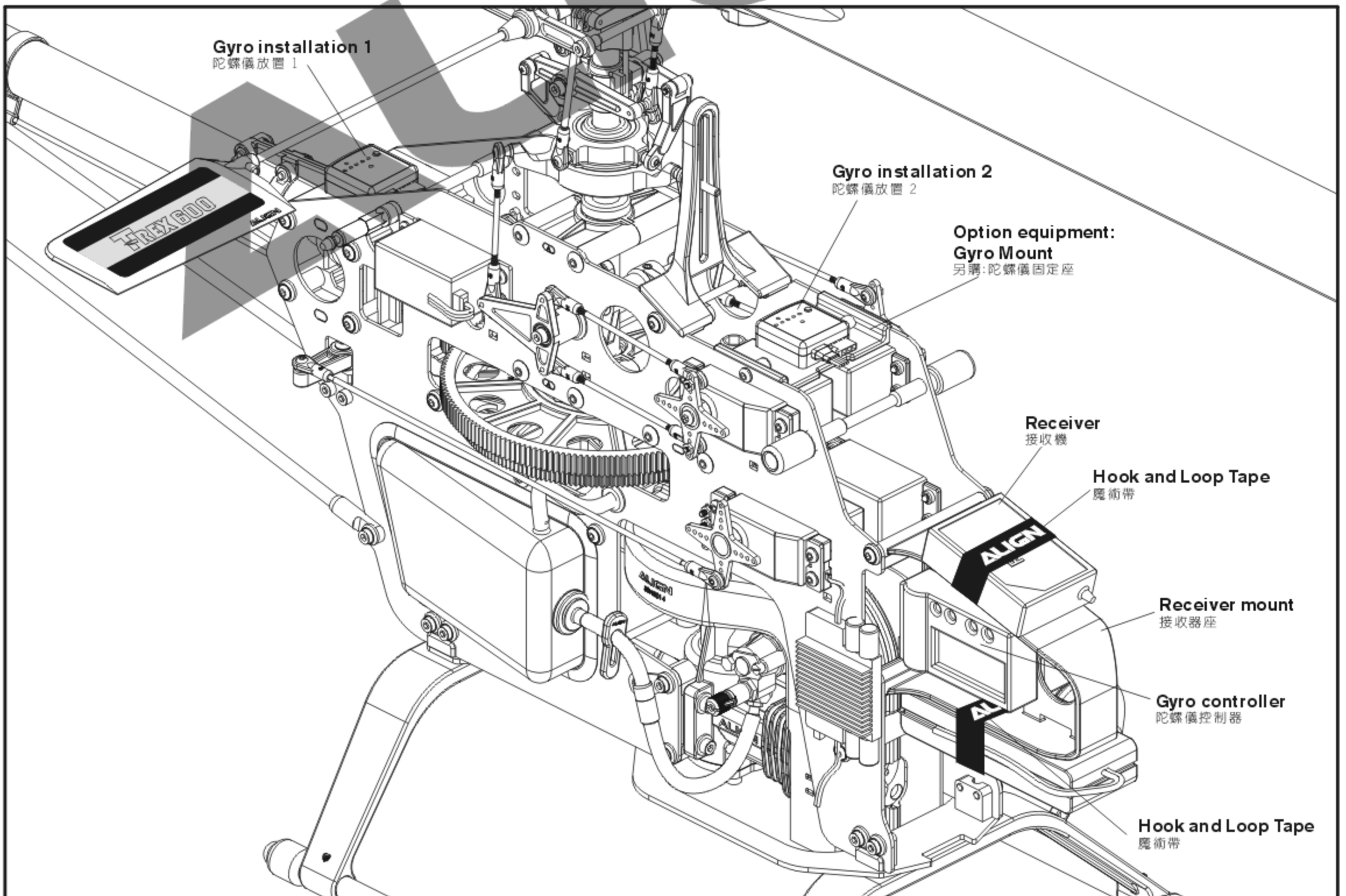
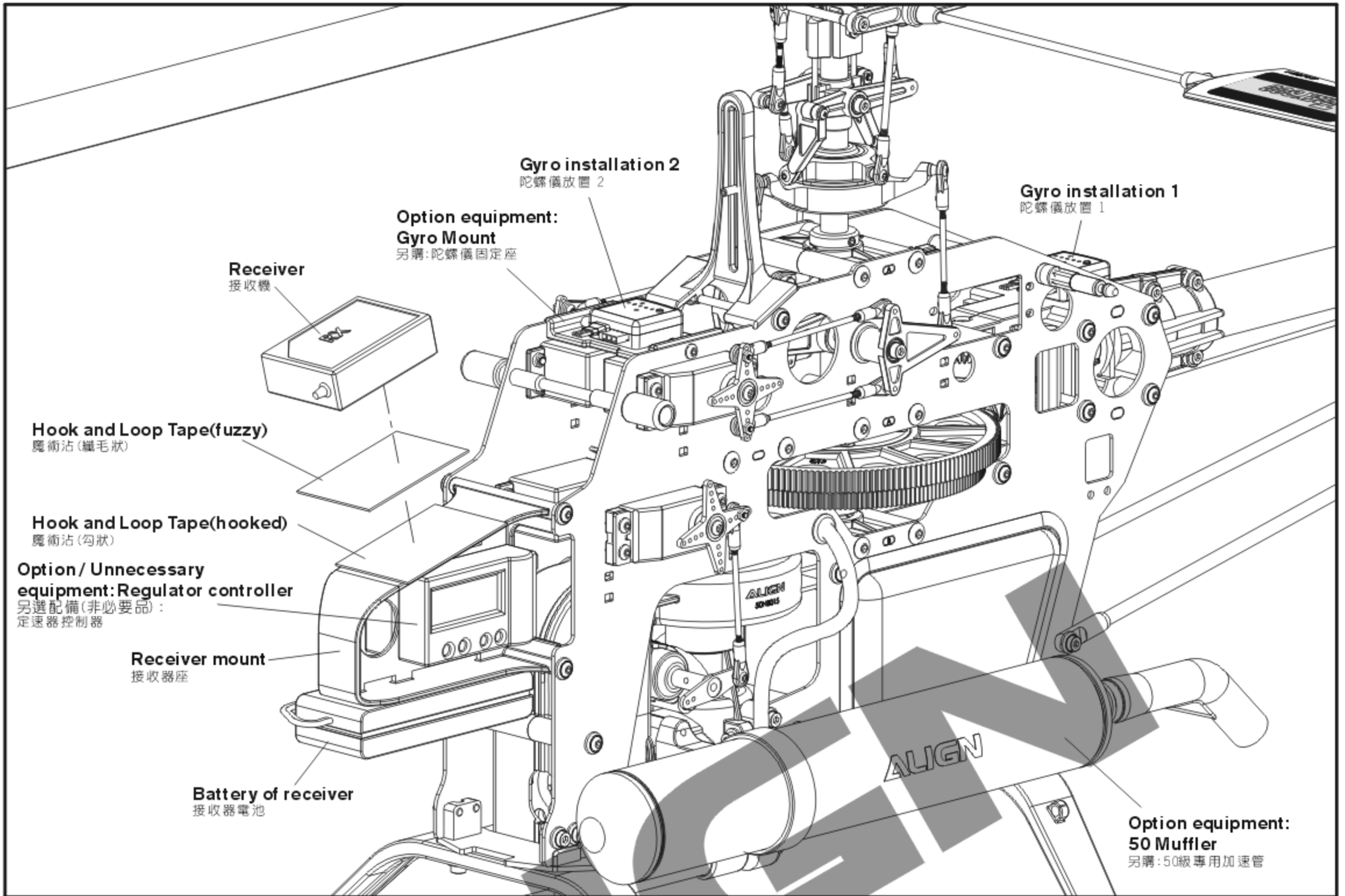
Linkage rod(D)
Approx. 60.5mm x 3
連桿(D)約60.5mm x 3

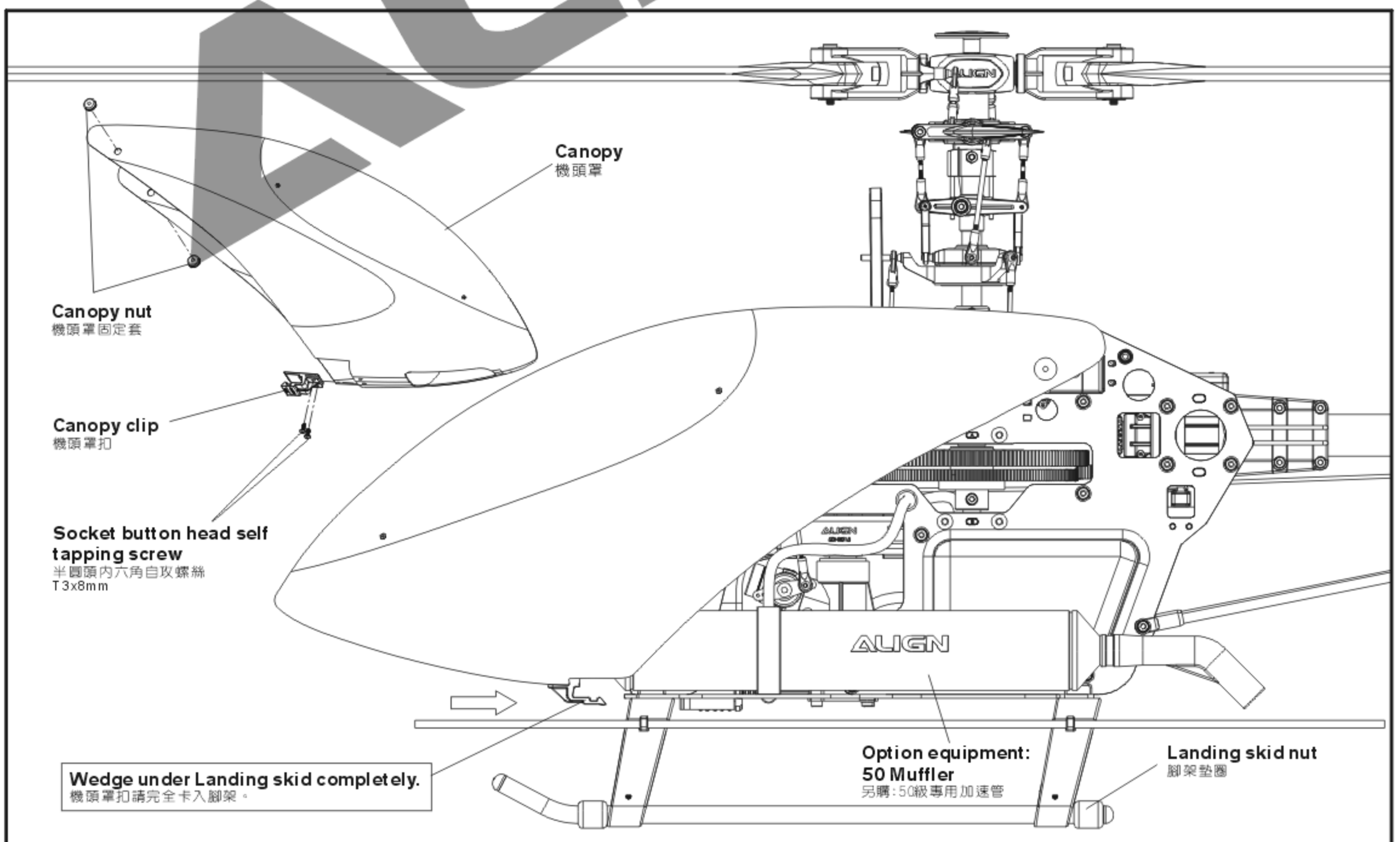
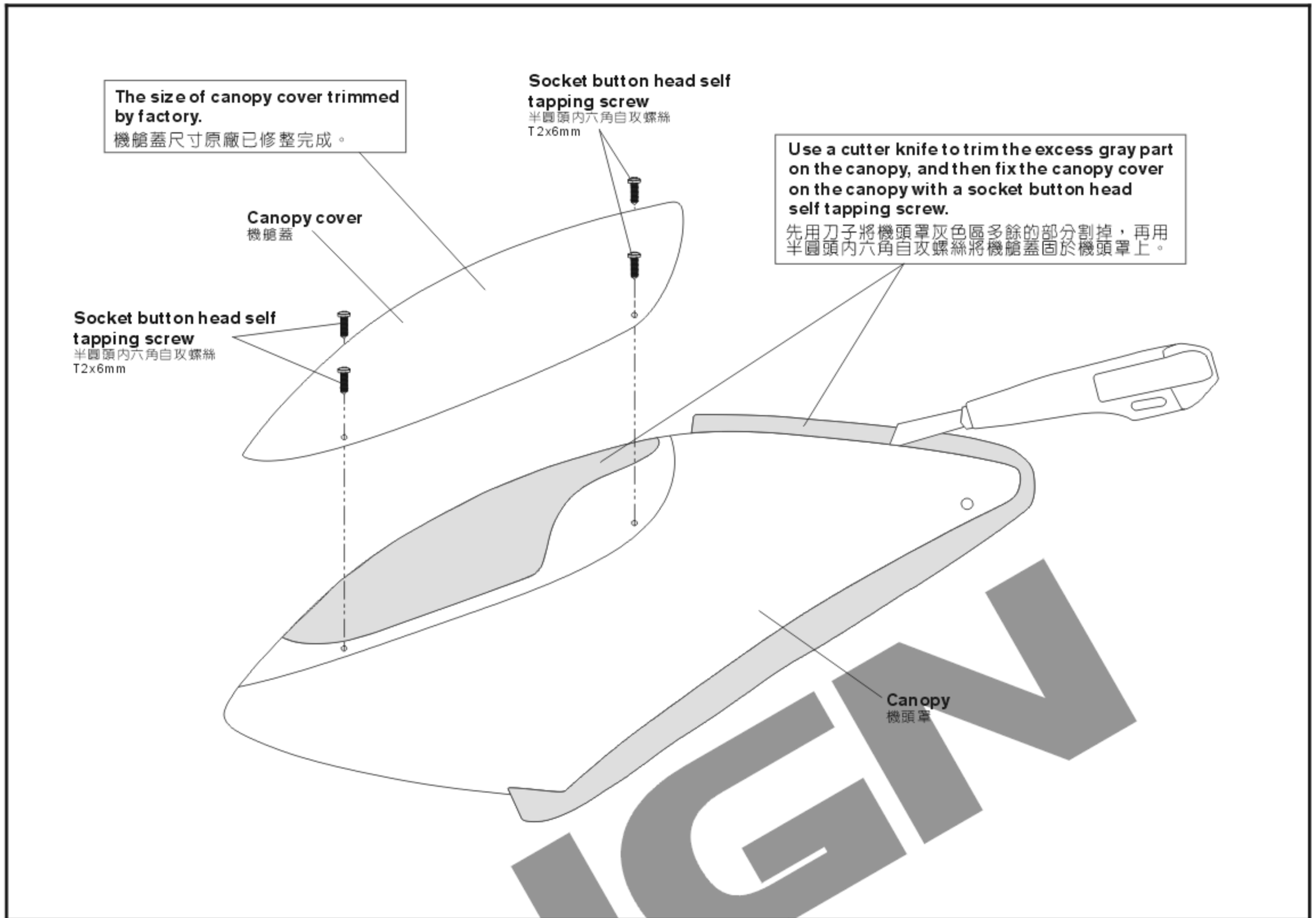
T43

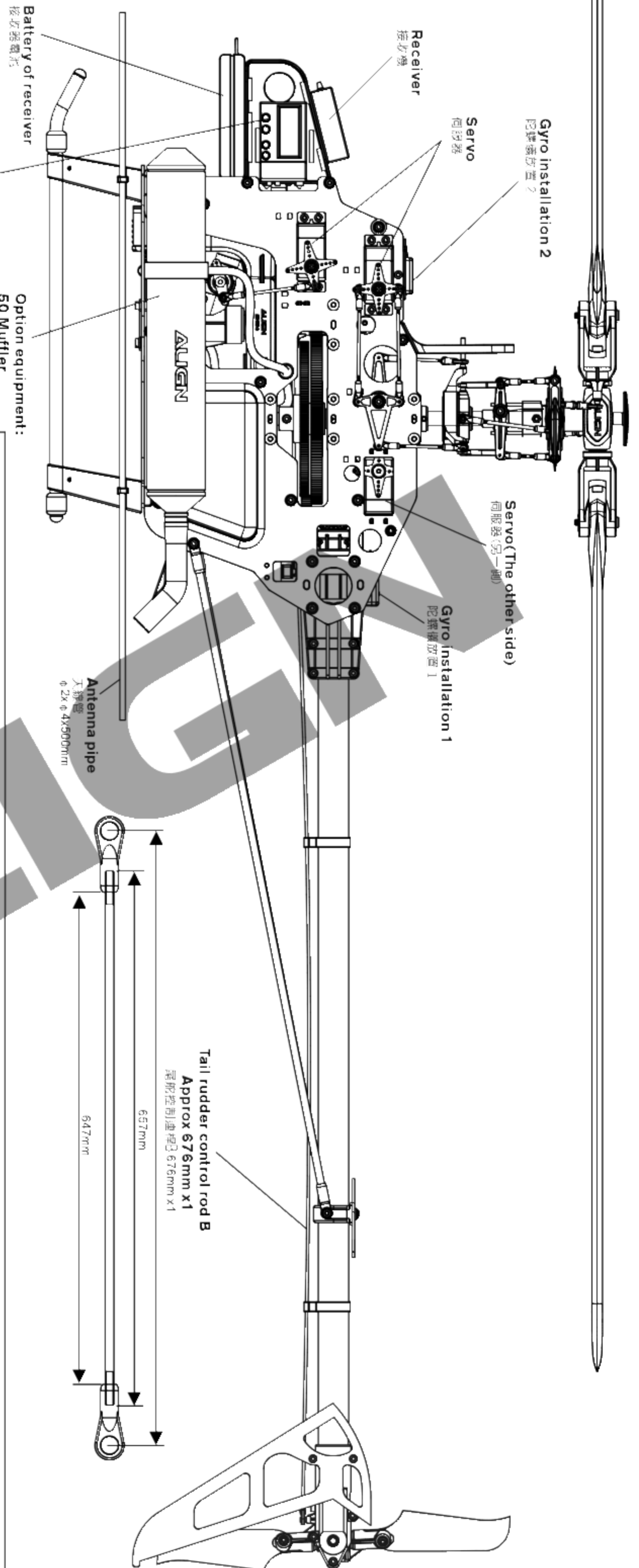
M4 Set screw
M4止洩螺絲
M4x4mm

39.5mm

31.5mm



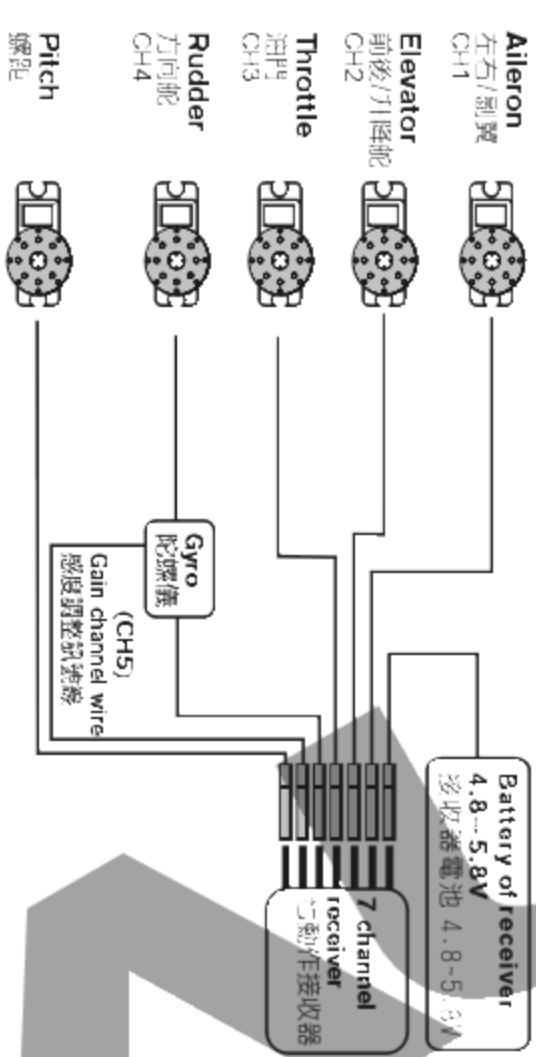




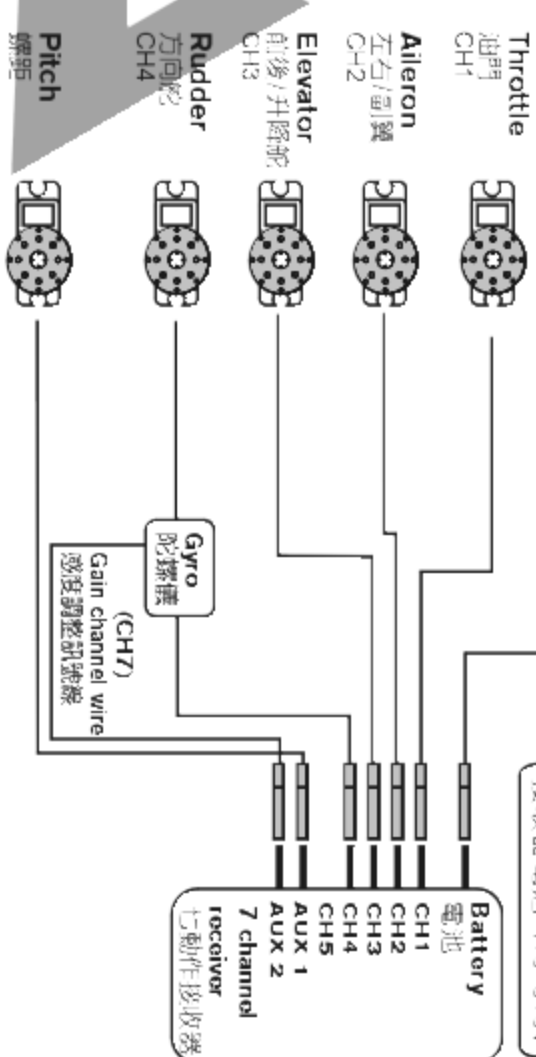
Option / Unnecessary equipment: Regulator controller
另選配備 (非必要品): 定速器控制器

Option equipment: 50 Muffler
另購: 50cc 專用消音管

HITEC、FUTABA 7CH receiver wiring
HITEC、FUTABA 7CH 接收器接線示意圖



JR 7CH receiver wiring
JR 7CH 接收器接線示意圖



7-Channel Receiver is adequate for the requirements of the T-REX heli.
You will need the following channels at a minimum: Throttle, Rudder, Elevator, Aileron, and especially Pitch(CH6) and Gyro(CH5) controls.
七通道的接收器已足夠應付 T-REX 直升機的需求, 除了油門、方向舵、升降舵、副翼等單本動作外, 亦可以對應具備必要調整訊號線的陀螺儀(CH5)與螺距(CH6)。

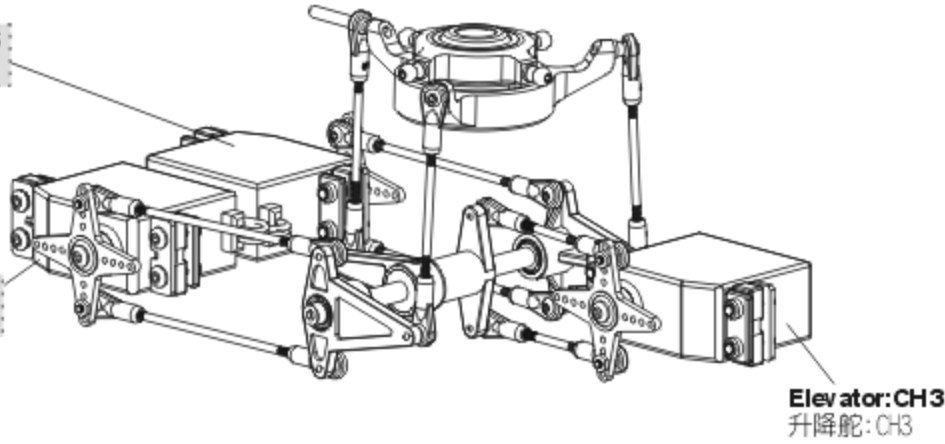
7-Channel Receiver is adequate for the requirements of the T-REX heli.
You will need the following channels at a minimum: Throttle, Rudder, Elevator, Aileron, and especially Pitch(AUX 1) and Gyro(AUX 2) controls.
七通道的接收器已足夠應付 T-REX 直升機的需求, 除了油門、方向舵、升降舵、副翼等單本動作外, 亦可以對應具備必要調整訊號線的陀螺儀(AUX 2)與螺距(AUX 1)。

To set this option is to turn on the transmitter and connect to BEC power.
此項設定只要開啓發射器，接上BEC電源即可進行操作。

JR Transmitter/Servo
JR遙控器對應伺服器關係

Aileron:CH2 副翼:CH2
Pitch:CH6 螺距:CH6

Pitch:CH6 螺距:CH6
Aileron:CH2 副翼:CH2



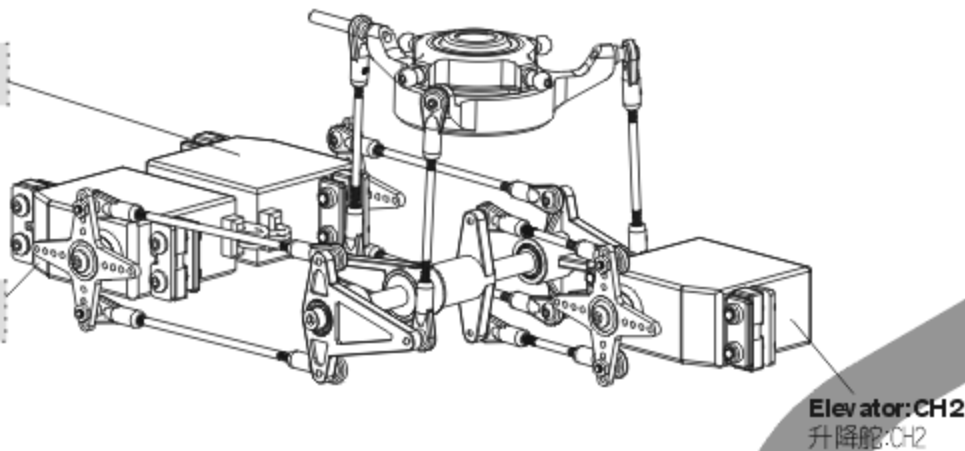
Positions of CH2、CH6 are exchangeable, After assembling as photo (Note:Set the transmitter under CCPM 120 degrees mode), pull throttle stick (pitch) upward. If one swashplate servo (or two servos) moves downward, adjust reverse switch (REV) on the transmitter to make it moves upward. If three servo move downward, adjust the travel value (+-) of SWASH CH6 on the transmitter to make them move upward. When the actions of Aileron and Elevator are opposite, adjust travel values of SWASH CH2 and CH3.

CH2、CH6可互換配置，依圖連結後(注意:遙控器須設定於CCPM 120°十字盤模式)，將油門搖桿(Pitch)往上推，若十字盤伺服器有1個或2個往下移時，請調整遙控器的反轉開關(REV)使伺服器往上，若3個伺服器同時往下移時，請調整遙控器 SWASH CH6 行程量的正負值，使伺服器同時往上平移，副翼與前後動作相反時，同樣調整 SWASH CH2、CH3 行程量正負值。

FUTABA/HITEC Transmitter/Servo
FUTABA/HITEC遙控器對應伺服器關係

Aileron:CH1 副翼:CH1
Pitch:CH6 螺距:CH6

Pitch:CH6 螺距:CH6
Aileron:CH1 副翼:CH1



Positions of CH1、CH6 are exchangeable, After assembling as photo (Note:Set the transmitter under CCPM 120 degrees mode), pull throttle stick (pitch) upward. If one swashplate servo (or two servos) moves downward, adjust reverse switch (REV) on the transmitter to make it moves upward. If three servo move downward, adjust the travel value (+-) of SWASH CH6 on the transmitter to make them move upward. When the actions of Aileron and Elevator are opposite, adjust travel values of SWASH CH1 and CH2.

CH1、CH6可互換配置，依圖連結後(注意:遙控器須設定於CCPM 120°十字盤模式)，將油門搖桿(Pitch)往上推，若十字盤伺服器有1個或2個往下移時，請調整遙控器的反轉開關(REV)使伺服器往上，若3個伺服器同時往下移時，請調整遙控器 SWASH CH6 行程量的正負值，使伺服器同時往上平移，副翼與前後動作相反時，同樣調整 SWASH CH1、CH2 行程量正負值。

11.ADJUSTMENTS FOR GYRO AND TAIL NEUTRAL SETTING 陀螺儀與尾翼中立點設定調整

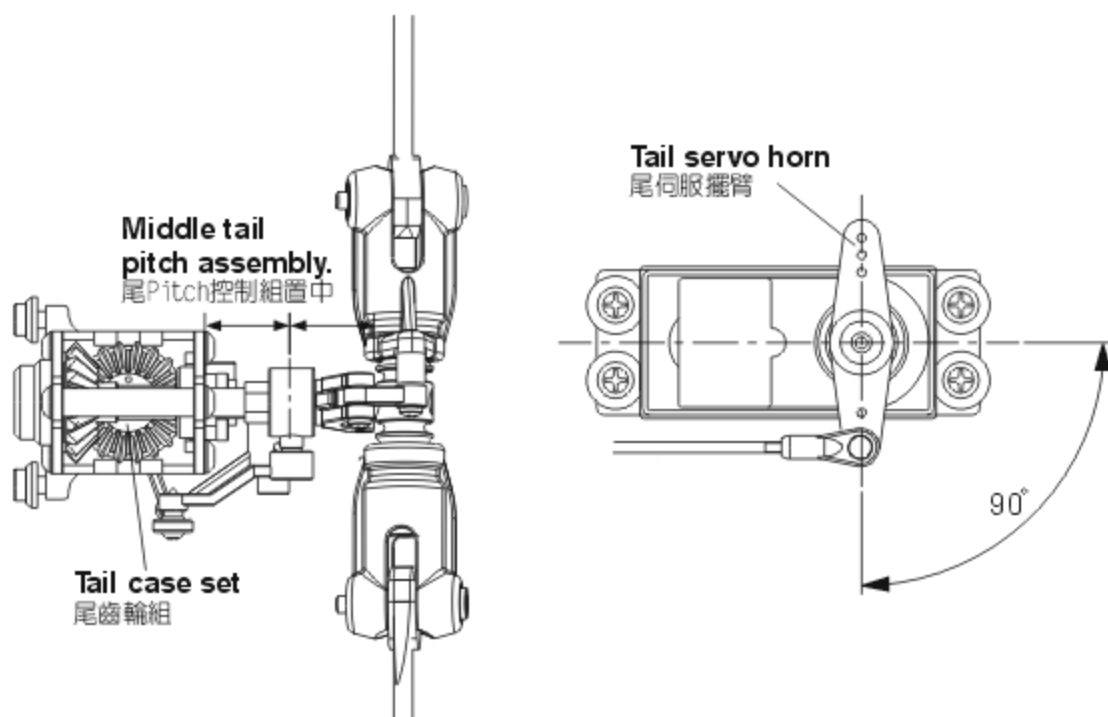
Recommend to choose Head Lock type for Gyro and turn off Revolution mixing(RVMX) mode on the transmitter, then set the gain switch on the transmitter and the gyro to Head lock mode. The gain setting is about 70%, and after transmitter setting, connect to BEC power to work on tail neutral setting. Note: When turn on BEC power, please do not touch tail rudder stick and the helicopter. Then wait for 3 seconds, make tail servo arm and tail servo at a right angle(90 degrees), tail pitch assembly must be correctly fixed about in the middle of the travel of tail rotor shaft for standard neutral setting.

陀螺儀選擇，建議選用鎖定式陀螺儀，其發射器內陀螺儀設定請關閉根軸混控模式，並將發射器上的感度開關與陀螺儀切至鎖定模式，感度設約 70% 左右，發射器設定完成後接上BEC接收電源，即可進行尾中立點設置。注意:當啟動BEC電源時請勿撥動尾舵搖桿或碰觸機體，待3秒陀螺儀鎖定後尾伺服器需與尾伺服器約成 90°，尾旋翼控制組須正確置於尾橫軸行程約中間位置，即為標準尾中立點設定。

TAIL NEUTRAL SETTING 尾中立點設定

After setting Head Lock mode, correct setting position of tail servo and tail pitch assembly is as photo. If the tail pitch assembly is not at the neutral position, please adjust the length of rudder control rod to trim.

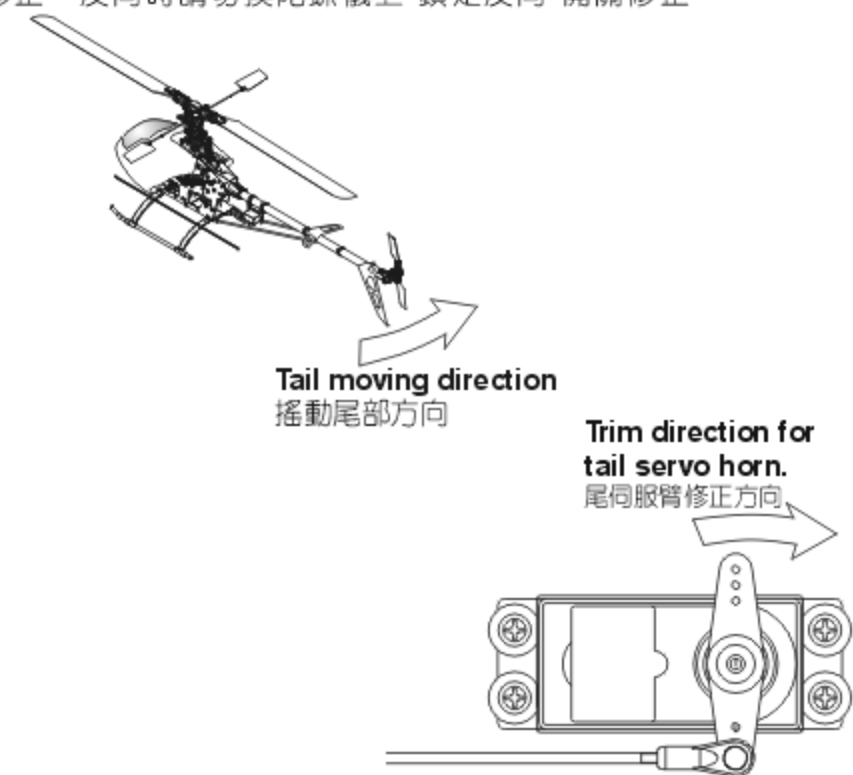
陀螺儀鎖定後尾伺服器與尾 Pitch控制組正確擺置位置。若尾 Pitch控制組未置中時請調整尾控制連桿的長度來修正。



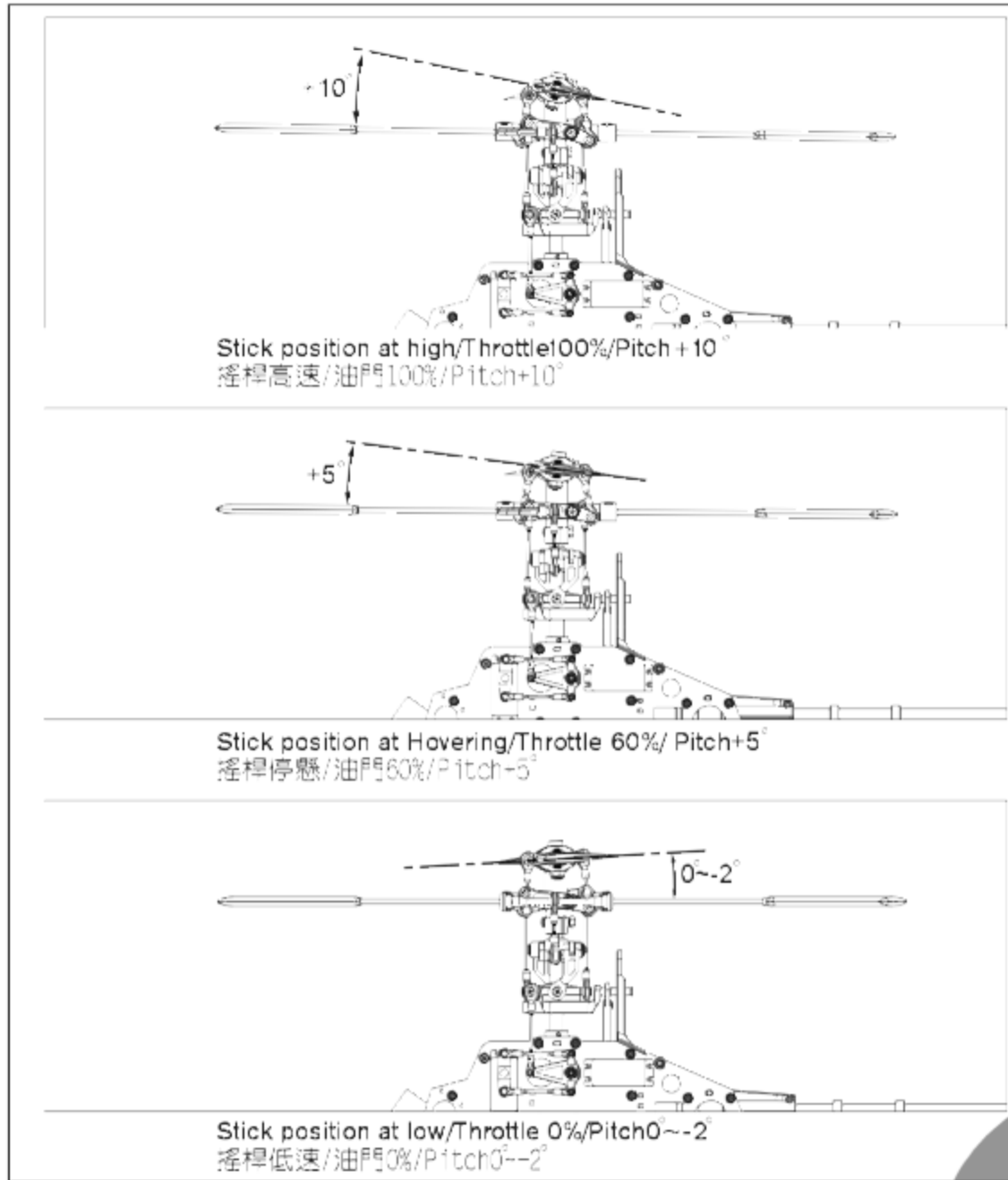
HEAD LOCK DIRECTION SETTING OF GYRO 陀螺儀鎖定方向設定

To check the head lock direction of gyro is to move the tail counterclockwise and the tail servo horn will be trimmed clockwise. If it trims in the reverse direction, please switch the gyro to "REVERSE".

陀螺儀鎖定方向確認，當手搖尾部反時鐘擺動，尾伺服器應順時鐘修正，反向時請切換陀螺儀上"鎖定反向"開關修正。

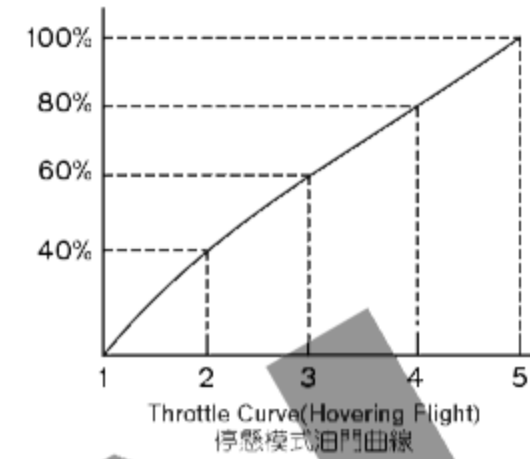


GENERAL FLIGHT 一般飛行模式

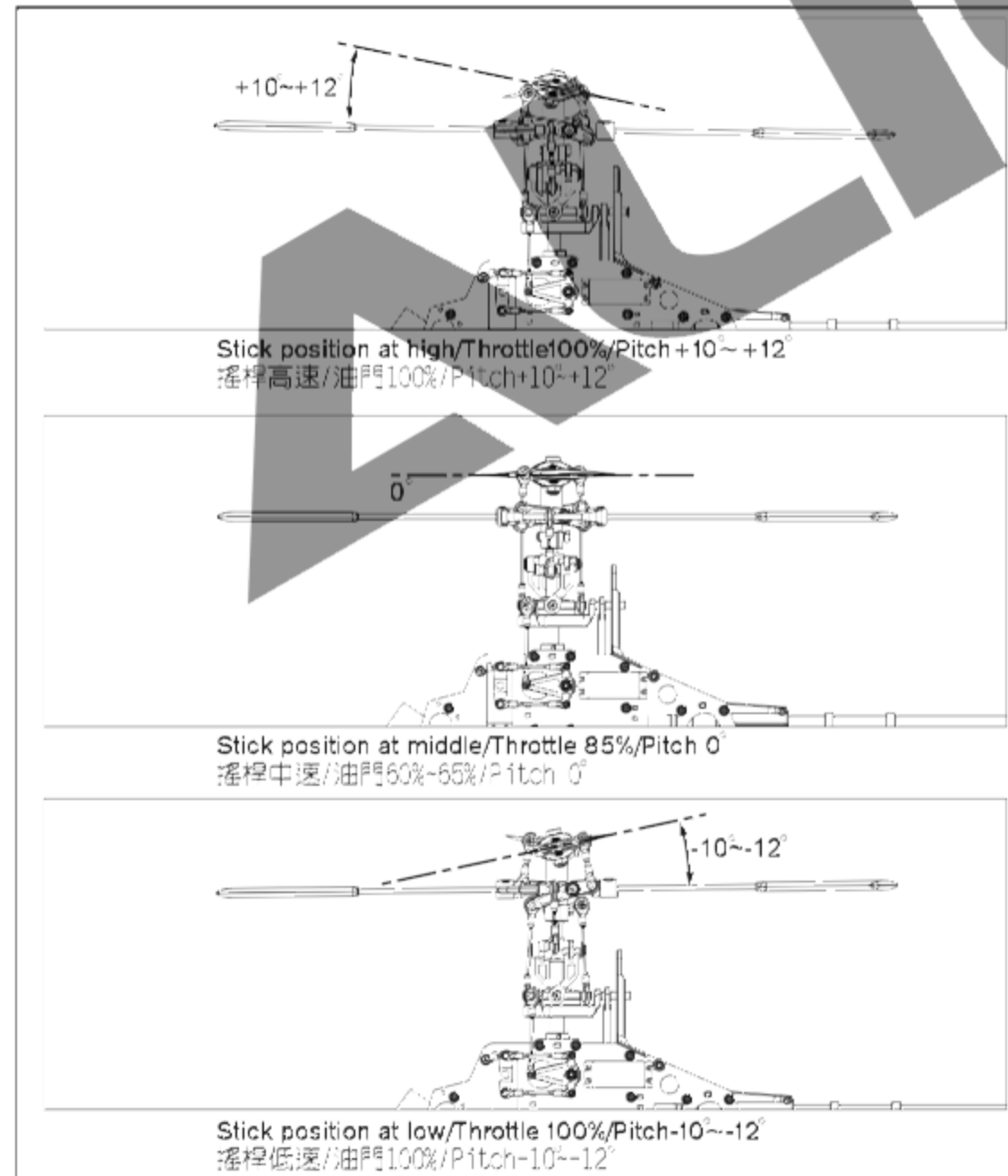


GENERAL FLIGHT
一般飛行模式

	Throttle 油門	Pitch 螺距
5	100% High speed 100% 高速	+10°
4	80%	
3	60% Hovering 60% 停懸	+5°
2	40%	
1	0% Low speed 0% 低速	0~-2°

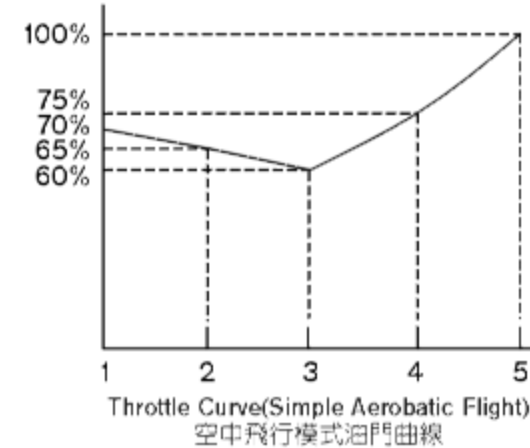


3D FLIGHT 3D特技飛行模式



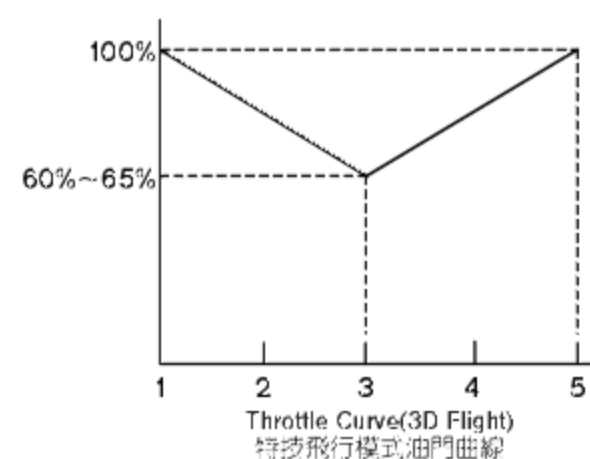
IDLE 1: SPORT FLIGHT

	Throttle 油門	Pitch 螺距
5	100%	+10~+12°
4	75%	
3	60%	+5°
2	65%	
1	70%	-5°



IDLE 2: 3D FLIGHT

	Throttle 油門	Pitch 螺距
5	100% High 100% 高	+10~+12°
3	60%~65% Middle 60%-65% 中	0°
1	100% Low 100% 低	-10~-12°



1. Pitch range: Approx. ±14 degrees.
2. If the pitch is set too high, it may cause motor overload.



1. 螺距 (Pitch) 總行程約 ±14°
2. 過大螺距設定，可能導致引擎過載。

PLEASE PRACTICE SIMULATION FLIGHT BEFORE REAL FLYING 飛行前請事先熟練電腦模擬飛行

A safe and effective practice method is to use the transmitter flying on the computer through simulator software sold on the market. Do a simulation flight until you familiarize your fingers with the movements of the rudders, and keep practicing until the fingers move naturally.

1. Place the helicopter in a clear open field (Make sure the power OFF) and the tail of helicopter point to yourself.
2. Practice to operate the throttle stick(as below illustration) and repeat practicing "Throttle high/low", "Aileron left/right", "Rudder left/right", and "Elevator up/down".
3. The simulation flight practice is very important, please keep practicing until the fingers move naturally when you hear operation orders being call out.

在還沒瞭解直昇機各動作的操控方式前，嚴禁實機飛行，請先進行電腦模擬飛行的練習，一種最有效、最安全的練習方式，就是透過市面販售的模擬軟體，以遙控器在電腦上模擬飛行，熟悉各種方向的操控，並不斷的重複，直到手指可熟練的控制各個動作及方向。

1. 將直昇機放在空曠的地方(確認引擎為熄火狀態)，並將直昇機的機尾對準自己。
2. 練習操作遙控器的各搖桿(各動作的操作方式如下圖)，並反覆練習油門高/低、副翼左/右、升降舵前/後及方向舵左/右操作方式。
3. 模擬飛行的練習相當重要，請重複練習直到不需思索，手指能自然隨著喊出的指令移動控制。



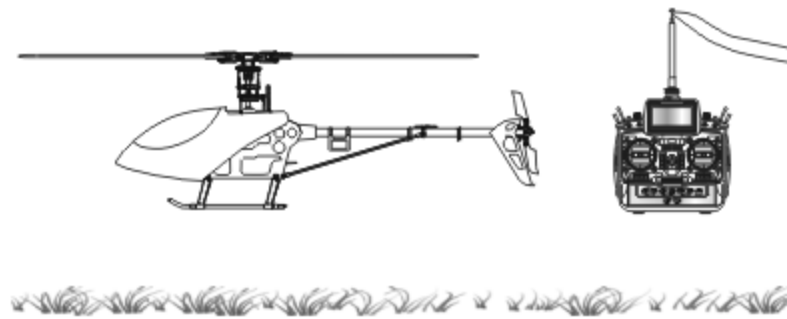
Mode 1	Mode 2	Illustration圖示
 Aileron 副翼	 Aileron 副翼	 Move left 左移 Move right 右移 Rotate left 左翻 Rotate right 右翻
 Elevator 升降/前後	 Elevator 升降/前後	 Fly forward 前進 Fly backward 後退 Forward rotate 前翻 backward rotate 後翻
 Throttle 油門	 Throttle 油門	 Ascent 上升 Descent 下降
 Rudder 方向	 Rudder 方向	 Turn right 右旋 Turn left 左旋

FLIGHT ADJUSTMENT AND NOTICE FOR BEGINNERS 初學飛行調整與注意

★When arriving at the flying field.
★當抵達飛行場



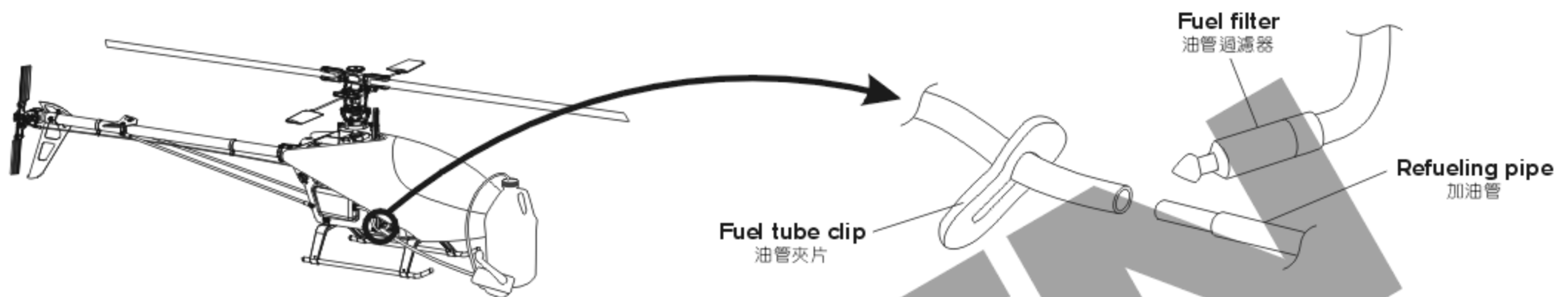
- Check if the screws are firmly tightened.
- Check if the transmitter and receivers are fully charged.
- 再次確認→螺絲是否鎖固?
- 發射器和接收器電池是否足夠。



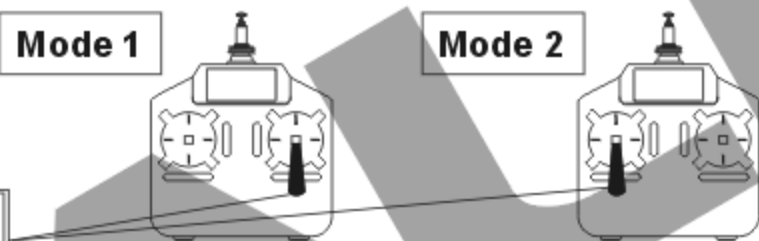
If there are other radio control aircraft at the field, make sure to check their frequencies and tell them what frequency you are using. Frequency interference can cause your model, or other models to crash and increase the risk of danger.
假使飛行場有其他遙控飛機，請確認他們的頻率，並告知他們你正在使用的頻率，相同的頻率會造成干擾導致失控和大大地增加風險。

Engine start preparation 引擎啟動事前準備

Separate the fuel tube and the joint and start to refuel. Please be careful to avoid the dust entering the tube. When the fuel tank is full, please stop refueling and reconnect the tube and the joint.
將油管與其接頭分離，並開始補給燃料。請小心避免灰塵砂粒進入管子內。當油箱已滿，請停止補給燃料並再將管子和接頭接合。

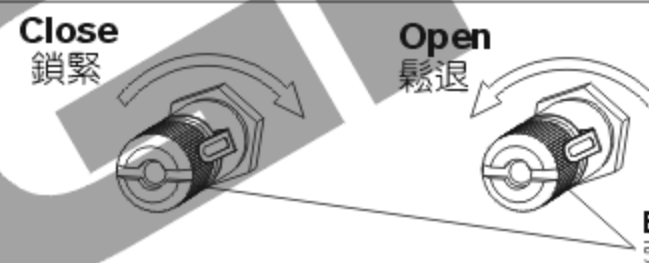


First check to make sure no one else is operating on the same frequency. Then place the throttle stick at lowest position and turn on the transmitter.
首先確認附近沒有其他相同頻率的使用，然後打開發射器將油門搖桿推到低點。



Check if the throttle stick is set at the lowest position and check if engine throttle is at low speed.
確認油門搖桿是在最低的位置，並確認引擎油門置於低速。

Needle valve adjusting suggestion 引擎油針調整建議



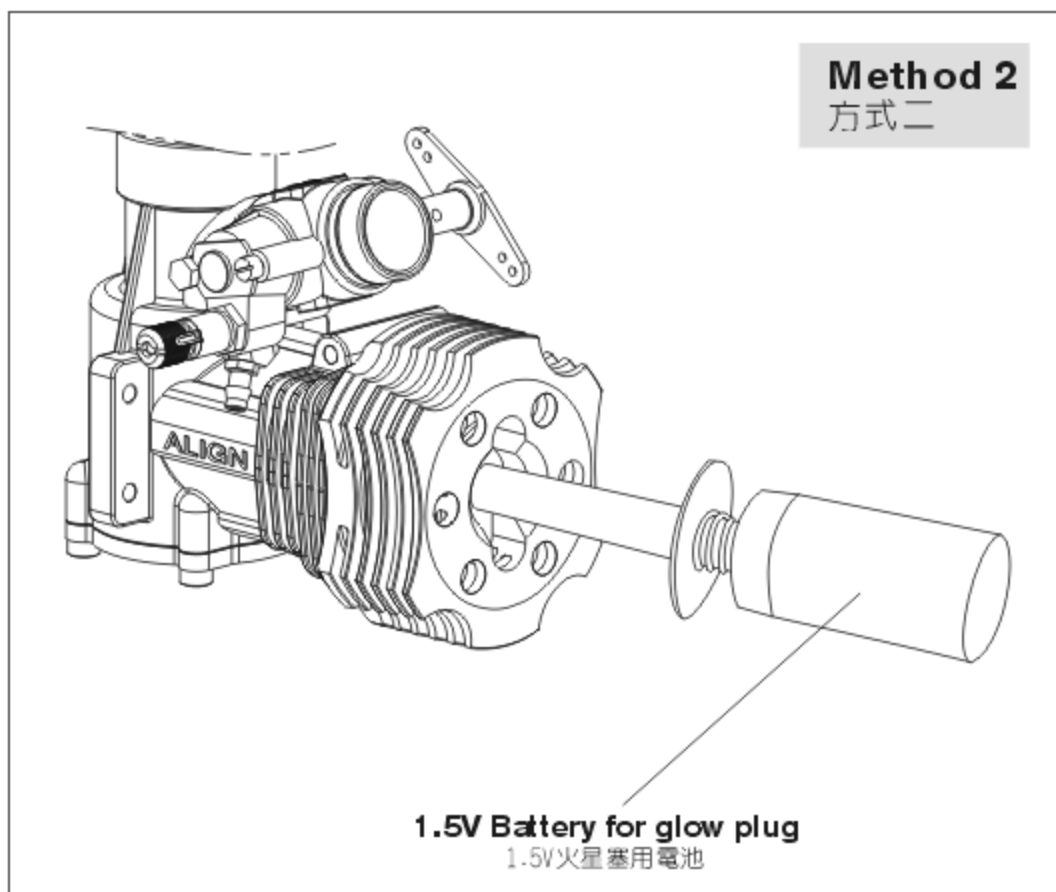
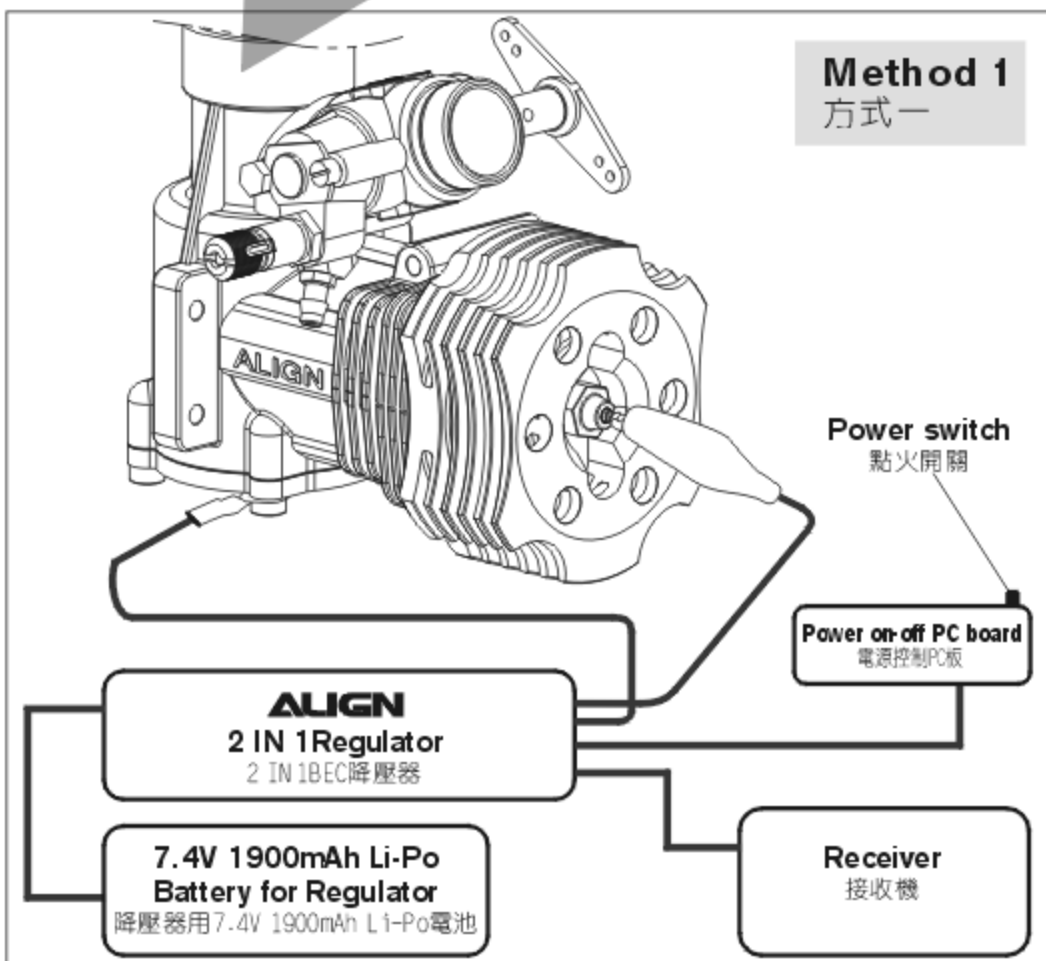
For a new engine, recommend closing the needle valve completely first, and then open the needle valve 1.5 turns for running-in during the first 3 flights. After the first 3 flights, see the flight conditions to adjust the engine to higher speed, recommend closing the needle valve to 1.25 turns. (Please refer to the original instruction manual of the engine for more detail.)

建議新引擎於前3次飛行時主油針先鎖緊後，以鬆退1 1/2圈條件引擎磨合飛行。3次飛行以後，可視飛行狀況適當調高引擎轉速，建議可調緊主油針到1 1/4圈。(詳細調整請參閱原廠說明書)



If the engine speed and the temperature are too high, it will seriously affect the engine life.
引擎轉速、溫度過高將嚴重影響引擎壽命。

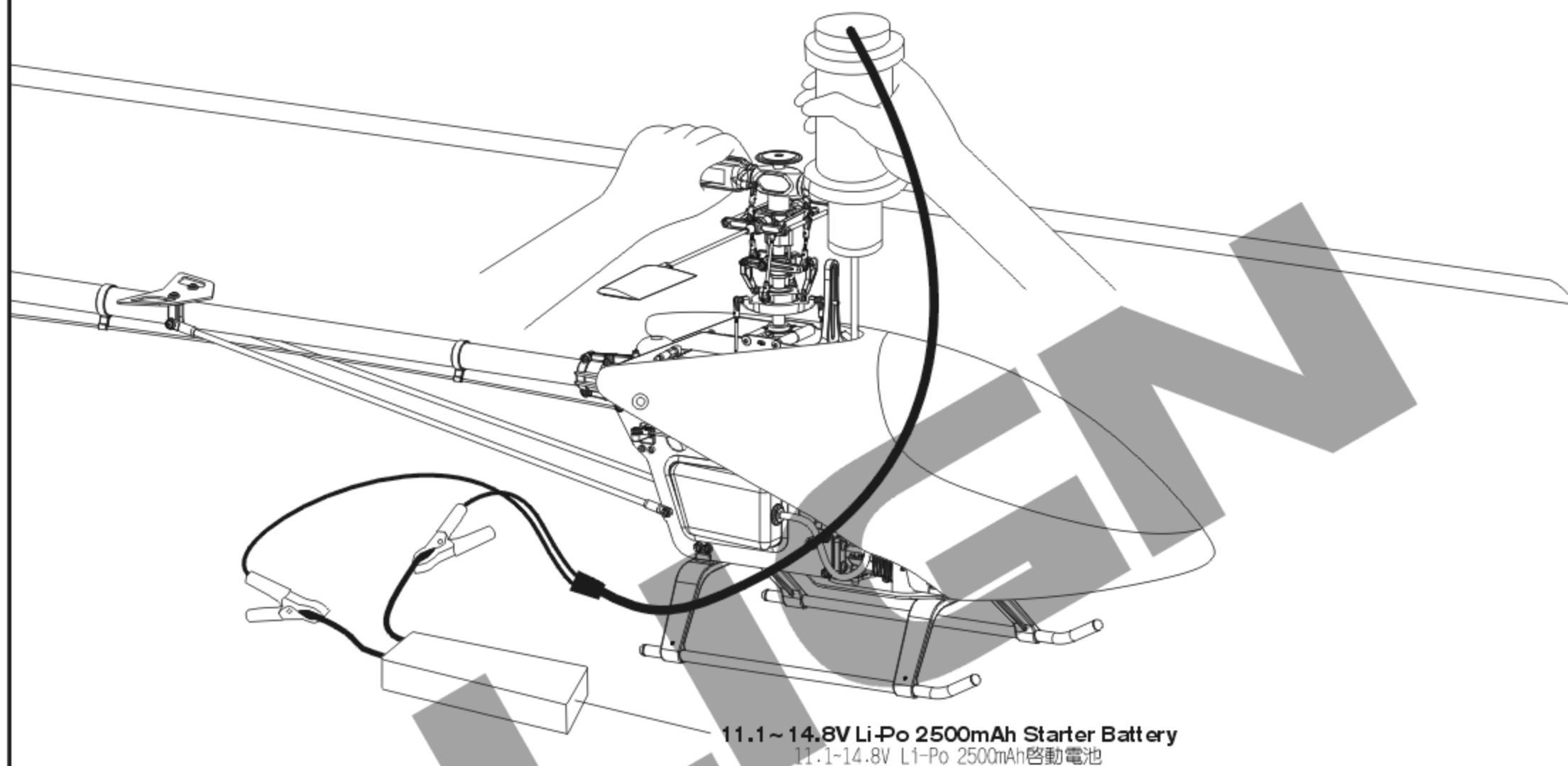
Glow plug ignition method 火星塞點火方式



Engine start and stop 引擎啟動和熄火

1. Connect the battery to the starter and check the rotation direction. Insert the starter shaft into the starter completely.
2. Tightly hold the main rotor head, and insert the starter shaft into the starter coupling. Then turn the starter to start the engine.
3. When the engine starts, stop the starter and remove it from the starter coupling. Please keep holding the main rotor head tightly.
4. Hold the main rotor head tightly, and turn off the power of glow plug or remove the power.
5. Still hold the main rotor head tightly, turn throttle trim at the lowest position, and keeping engine in lowest regular running.
6. If you want to stop the engine, please set the throttle trim (beside the throttle stick) at the lowest position. If the engine cannot stop, please put the Fuel Clip into lock position to stopping refueling.

1. 將啟動電池連接到啟動器並確認其轉動方向。將啟動軸完全插入啟動器。
2. 緊緊抓住主旋翼頭部，將啟動軸插入引擎啟動頭並以啟動器啟動引擎。
3. 當引擎啟動後，停止啟動器並將啟動頭上的啟動器移開。請保持繼續緊緊抓住主旋翼頭部。
4. 仍然緊緊抓住主旋翼頭部，將火星塞點火電池關閉或移開。
5. 仍然緊緊抓住主旋翼頭部，請保持油門於最低點時，引擎能保持於低怠速下正常運轉。
6. 欲將引擎熄火時，只需將油門搖桿旁的油門微調調至最低即可；如果引擎仍無法停止，請將油管夾片推至鎖定位置，關閉油料供給。



Main rotor adjustments 主旋翼雙槳平衡調整



Tracking adjustment is very dangerous, so please keep away from the helicopter at a distance of at least 10m.
調整軌跡非常危險，請於距離飛機最少10公尺的距離。

1. Before adjusting, apply a red piece of tape on one blade, or paint a red stripe with a marker or paint to identify on blade.
2. Raise the throttle stick slowly and stop just before the helicopter lifts-off ground. Look at the spinning blades from the side of the helicopter.
3. Look at the path of the rotor carefully. If the two blades rotate in the same path, it does not need to adjustment. If one blade is higher or lower than the other blade, adjust the tracking immediately.
4. Linkage rod (A): Regular pitch trim (For large variations). Linkage rod (C): Slight pitch trim (For slight variations).

1. 調整前先在其中一支主旋翼的翼端，貼上有顏色的貼紙或畫上顏色記號，方便雙槳調整辨識。
2. 慢慢的推起油門搖桿到高点並且停止，在飛機離開地面前，從飛機側邊觀察主旋翼轉動。
3. 仔細觀察旋翼軌跡（假如兩支旋翼移動都是相同軌跡，則不需要調整；可是如果一支旋翼較高或較低產生“雙槳”的情形時，則必須立刻調整軌跡）。
4. 連桿 (A) 為一般螺距調整（雙槳翼大時使用）。連桿 (C) 為螺距微調調整（雙槳微幅差異時使用）。

A. When rotating, the blade with higher path means the pitch too big. Please lengthen pitch linkage rod (A) for regular trim or shorten linkage rod (C) for slight pitch trim.

B. When rotating, the blade with lower path means the pitch too small. Please shorten pitch linkage rod (A) for regular trim or lengthen linkage rod (C) for slight pitch trim.

- A. 旋翼轉動時較高軌跡的主旋翼表示螺距 (PITCH) 過大，請調長連桿 (A) 修正，或需要更小的螺距微調時，請調短連桿 (C) 修正。
- B. 旋翼轉動時較低軌跡的主旋翼表示螺距 (PITCH) 過小，請調短連桿 (A) 修正，或需要更小的螺距微調時，請調長連桿 (C) 修正。



Incorrect tracking may cause vibrations. Please repeat adjusting the tracking to make sure the rotor is correctly aligned. After tracking adjustment, please check the pitch angle is approx. 5° when hovering.

不正確的旋翼軌跡會導致震動，請不斷重複調整軌跡，使旋翼軌跡精準正確。
在調整軌跡後，確認一下Pitch角度在停旋時應為大約5°。



FLIGHT ADJUSTMENT AND NOTICE FOR BEGINNERS 初學飛行調整與注意



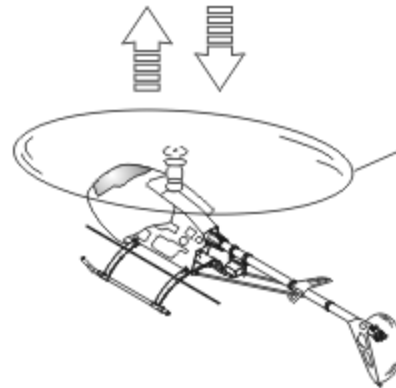
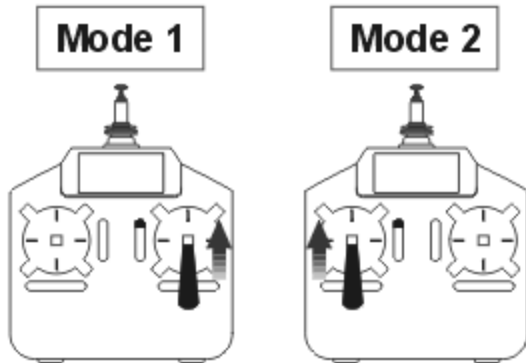
- ⊙ Make sure that no one or obstructions in the vicinity.
- ⊙ You must first practice hovering for flying safety. This is a basic flight action. (Hovering means keeping the helicopter in mid air in a fixed position)
- ⊙ 確認鄰近地區沒有人和障礙物。
- ⊙ 為了飛行安全，你必須先練習停旋，這是飛行動作的基礎（停旋：直昇機滯留空中並保持固定位置）。

- ⊙ Please stand approximately 10m diagonally behind the helicopter.
- ⊙ 練習時，請站在直昇機後方10公尺。

Beginner may install a training landing gear to avoid any crash caused by offset effect while landing.

必要時初學者可以在腳架下方安裝練習架，可避免降落時因重心偏移導致主旋翼或直昇機損毀。

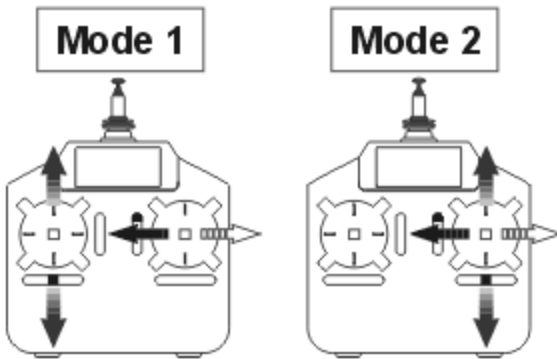
STEP 1 THROTTLE CONTROL PRACTICE 油門控制練習



- ⊙ When the helicopter begins to lift-off the ground, slowly reduce the throttle to bring the helicopter back down. Keep practicing this action until you control the throttle smoothly.

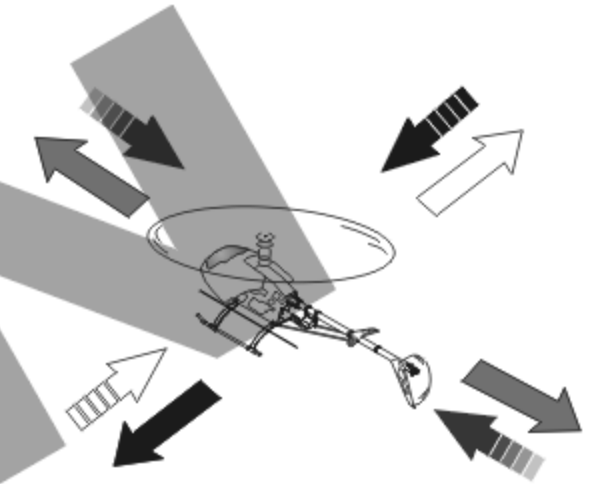
⊙ 當直昇機開始離地時，慢慢降低油門將飛機降下。持續練習飛機從地面上升和下降直到你覺得油門控制很順。

STEP 2 AILERON AND ELEVATOR CONTROL PRACTICE 副翼和升降控制練習



1. Raise the throttle stick slowly.
2. Move the helicopter in any direction back, forward, left and right, slowly move the aileron and elevator sticks in the opposite direction to fly back to its original position.

1. 慢慢升起油門搖桿。
2. 使直昇機依指示：移動向後/向前/向左/向右，慢慢的反向移動副翼和升降搖桿並將直昇機開回到原來位置。

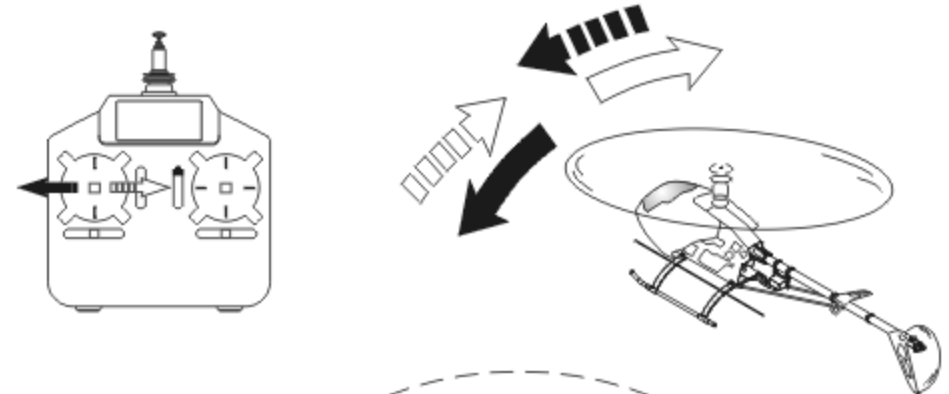


- ⊙ If the nose of the helicopter moves, please lower the throttle stick and land the helicopter. Then move your position diagonally behind the helicopter 10m and continue practicing.
- ⊙ If the helicopter flies too far away from you, please land the helicopter and move your position behind 10m and continue practicing.
- ⊙ 當直昇機機頭偏移時，請降低油門並且降落，然後移動自己的位置到直昇機的正後方10公尺再繼續練習。
- ⊙ 假如直昇機飛離你太遠，請先降落直昇機，並到直昇機後10公尺再繼續練習。

STEP 3 RUDDER CONTROL PRACTICING 方向舵操作練習

1. Slowly raise the throttle stick.
2. Move the nose of the helicopter to right or left, and then slowly move the rudder stick in the opposite direction to fly back to its original position.

1. 慢慢升起油門搖桿。
2. 將直昇機機頭移動左或右，然後慢慢反向移動方向舵搖桿並將直昇機飛回原本位置。

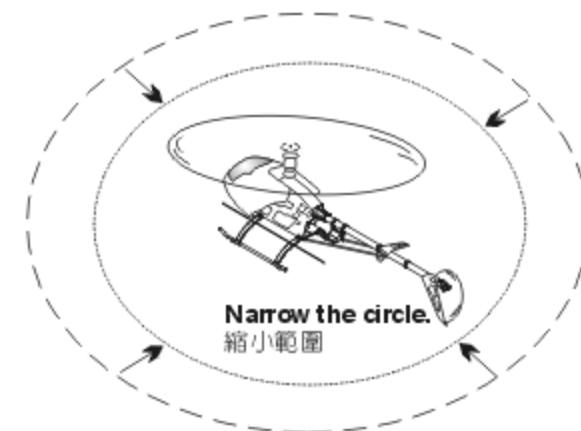


STEP 4

After you are familiar with all actions from Step1 to 3, draw a circle on the ground and practice within the circle to increase your accuracy.

當你覺得 step1-3 動作熟悉了，在地上畫圈圈並在這個圈圈的範圍內練習飛行，以增加你操控的準確度。

- ⊙ You can draw a smaller circle when you get more familiar with the actions.
- ⊙ 當你更加習慣操作動作，你可以畫更小的圈圈。

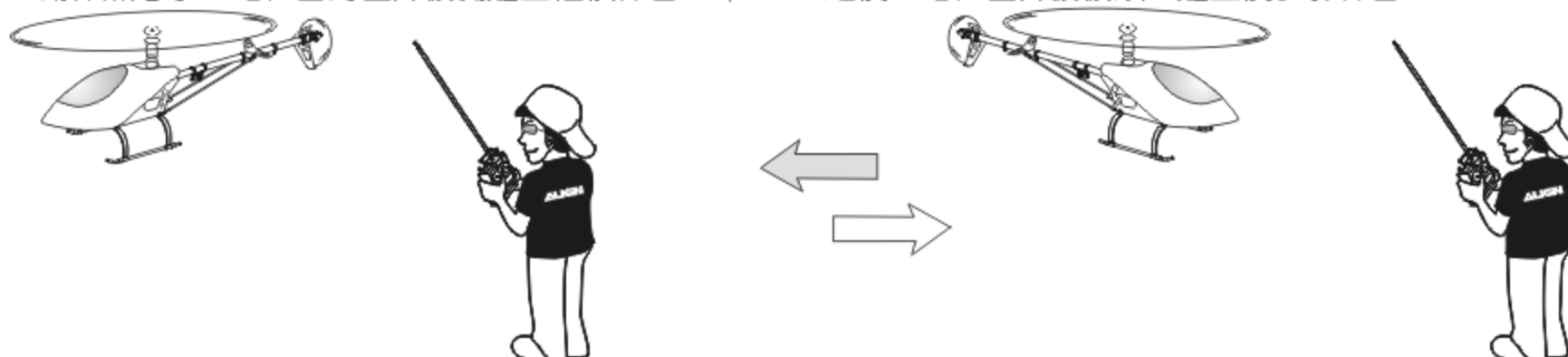


STEP 5 DIRECTION CHANGE AND HOVERING PRACTICE 改變直昇機方向和練習停旋

After you are familiar with Step1 to 4, stand at side of the helicopter and continue practicing Step1 to 4.

Then repeat the Step1 to 4 by standing right in front of the helicopter.

當你覺得step1-4動作熟悉了，站在面對直昇機側邊並繼續練習step1-4。之後，站在直昇機機頭右邊重複步驟練習。



ADJUSTMENT OF EACH TRIM 飛行動作微調

Slowly raise the throttle stick and just as the helicopter lift-off the ground, you can use the trim to correct the action if the helicopter leans in a different direction.

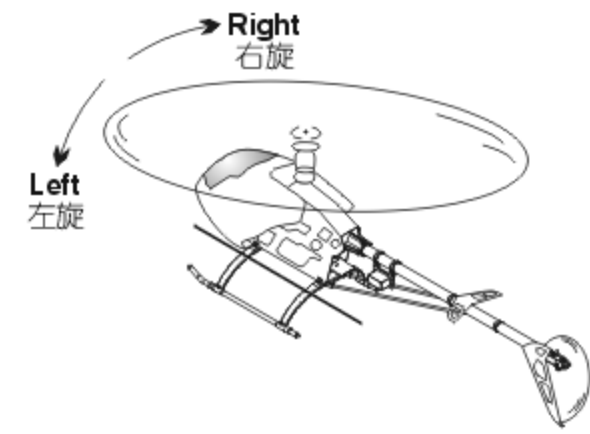
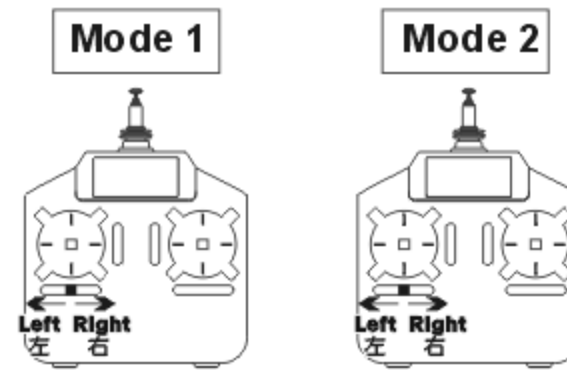
慢慢升起油門搖桿，當直昇機剛剛離開地面時，若直昇機傾向不同方向，可使用微調修正動作。

1. Adjustment of rudder trim 調整方向舵微調

Just before the helicopter lift-off, the nose lean left/right...

When leans right, adjust the trim to left side.
When leans left, adjust the trim to right side.

在直昇機正要起飛時，機頭朝左/右方向偏移...
向右偏移時，微調向左調整。
向左偏移時，微調向右調整。

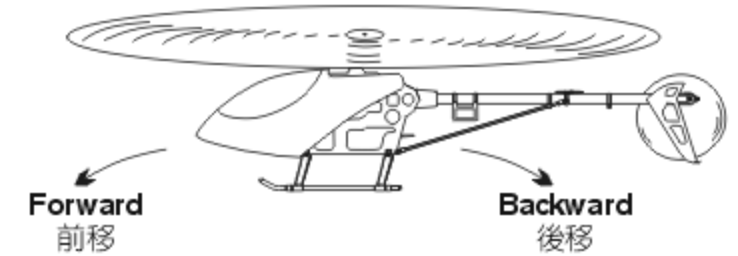
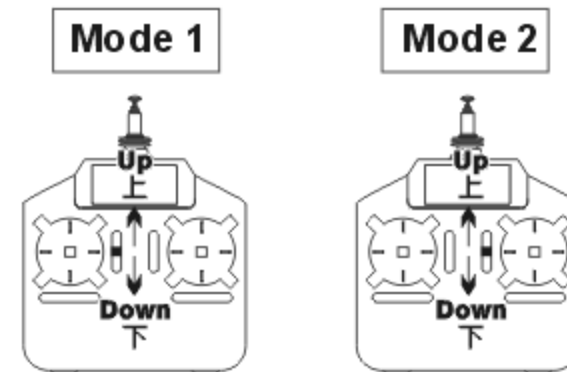


2. Adjustment of elevator trim 調整升降舵微調

Just before the helicopter lift-off, the nose lean forward/backward...

When leans forward, adjust the trim down.
When leans backward, adjust the trim up.

在直昇機正要起飛時，機頭朝前/後方向偏移...
向前偏移時，微調向下調整。
向後偏移時，微調向上調整。

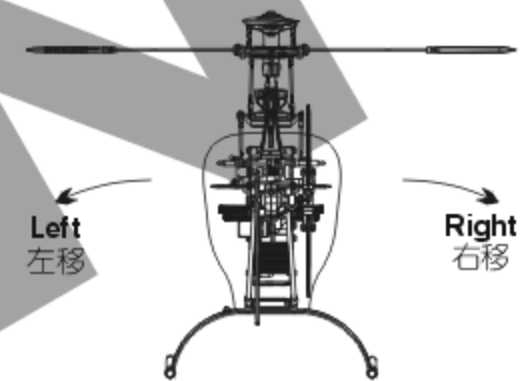
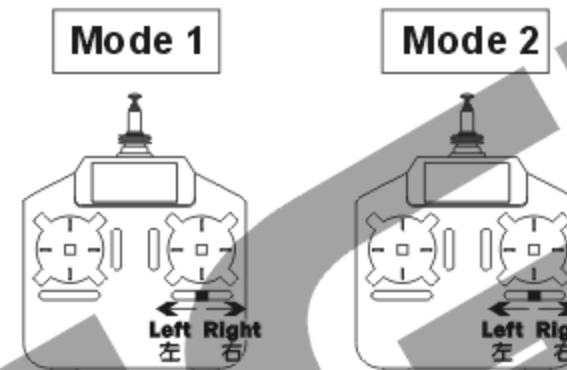


3. Adjustment of Aileron trim 調整副翼微調

Just before the helicopter lift-off, the body lean left/right...

When leans right, adjust the trim to left side.
When leans left, adjust the trim to right side.

在直昇機正要起飛時，機身朝左/右方向偏移...
向右偏移時，微調向左調整。
向左偏移時，微調向右調整。

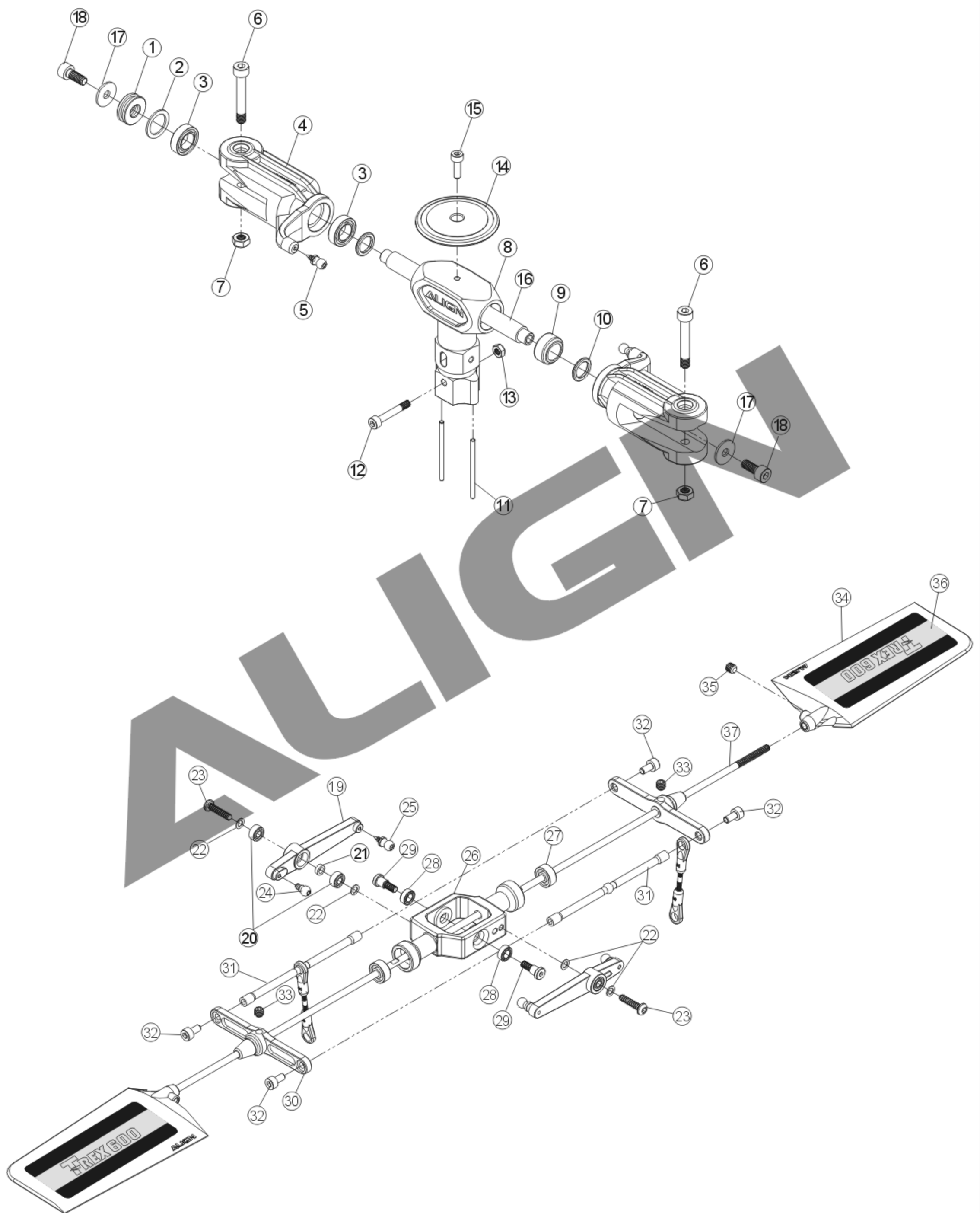


TROUBLE SHOOTING DURING FLIGHT 如何排除飛行中的狀況

	Situation 狀況	Cause 原因	Way to deal 對策
Blade Tracking 雙槳平衡	Out of tracking 雙槳	Adjustment of pitch rod has not been done. PITCH連桿長度調整不平均	Adjust the length of linkage rod(A)→Regular trim Adjust the length of linkage rod(C)→Slight trim 調整連桿(A)長度→一般調整 調整連桿(C)長度→微調整
During Hovering 停旋	Low rotation of the rotor 主旋翼轉速偏低	★ Pitch of main blade is high. ★ 主旋翼的PITCH偏高 ★ Throttle curve is too low during hovering. ★ 停旋點油門曲線過低	★ Lower the pitch about 4~5 during hovering(The rotation should be about 1,600rpm during hovering). ★ 調低Pitch停旋Pitch約4-5 (停旋時主旋翼需為約1600RPM) ★ Heighten the throttle curve during hovering. ★ 調高停旋點油門曲線
	High rotation of the rotor 主旋翼轉速偏高	★ Pitch of main blade is low. ★ 主旋翼的PITCH偏低 ★ Throttle curve is too high during hovering. ★ 停旋點油門曲線過高	★ Adjust the pitch rod (A) (The rotation should be about 1,600rpm during hovering). ★ 調整連桿 (A) (停旋時主旋翼需為約1600RPM) ★ Lower the throttle curve during hovering. ★ 調低停旋點油門曲線
Sensitivity of the gyro 陀螺儀敏感度	The tail leans to one side during hovering, or when trim the rudder and return to the neutral, the tail lags and cannot stay in a control position. 停旋時尾翼向某一邊偏移，或撥動方向舵並回復到中立點時，尾翼產生延遲，無法停頓在所控制位置上。	★ Failure setting of tail neutral point. ★ 尾中立點設定不當 ★ The sensitivity of the gyro is low. ★ 陀螺儀敏感度偏低	★ Reset tail neutral point. ★ 重設尾中立點 ★ Increase the sensitivity. ★ 增加敏感度
	The tail wags left and right during flight at hovering or full speed. 停懸或全油門時尾翼左右來回快速搖擺。	The sensitivity of the gyro is high. 陀螺儀敏感度偏高	Decrease the sensitivity. 降低敏感度

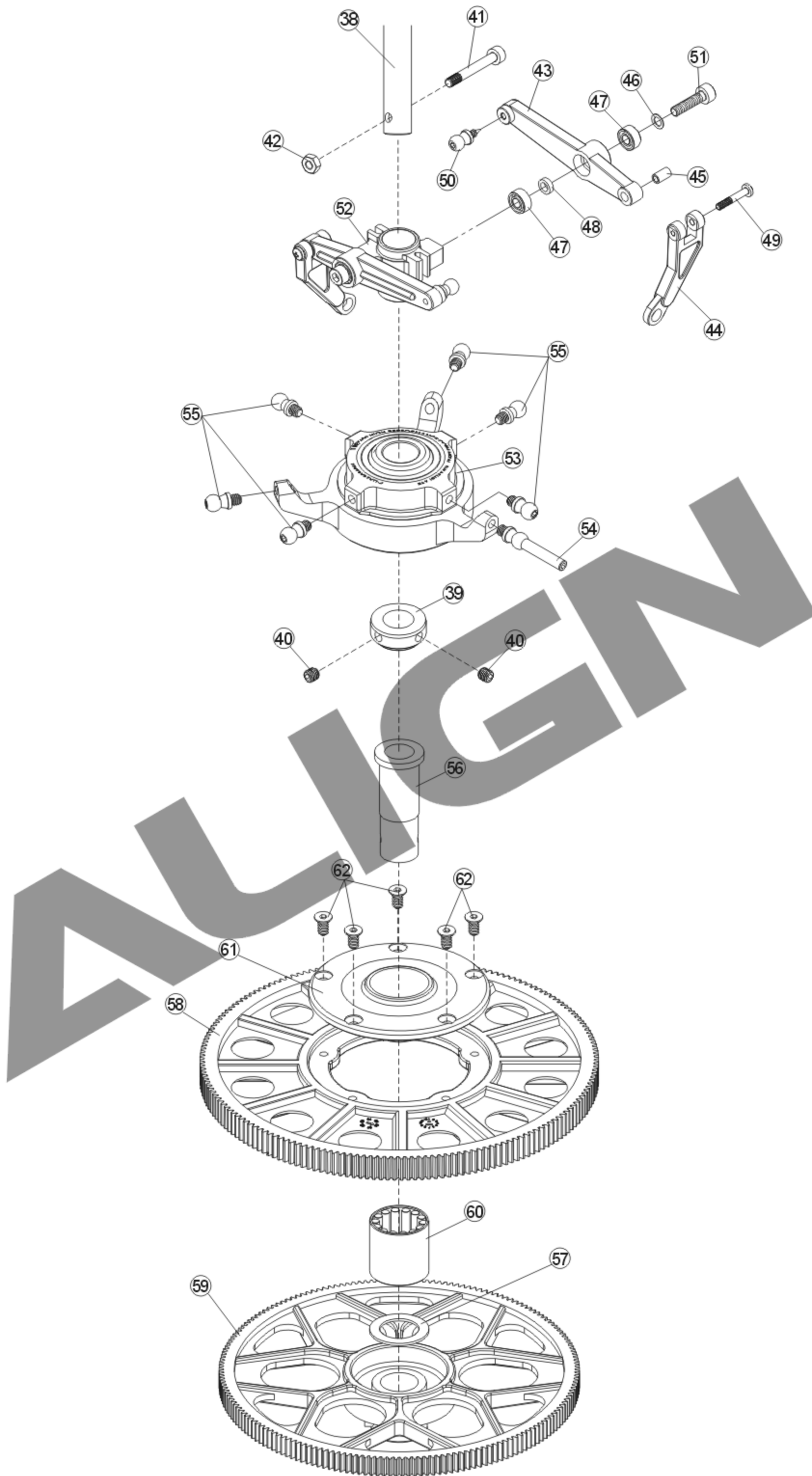
※If the problem is still there even after tried above, stop flying and contact with your seller.

※在做完以上調整後，仍然無法改善情況時，應立即停止飛行並連絡您的經銷商。

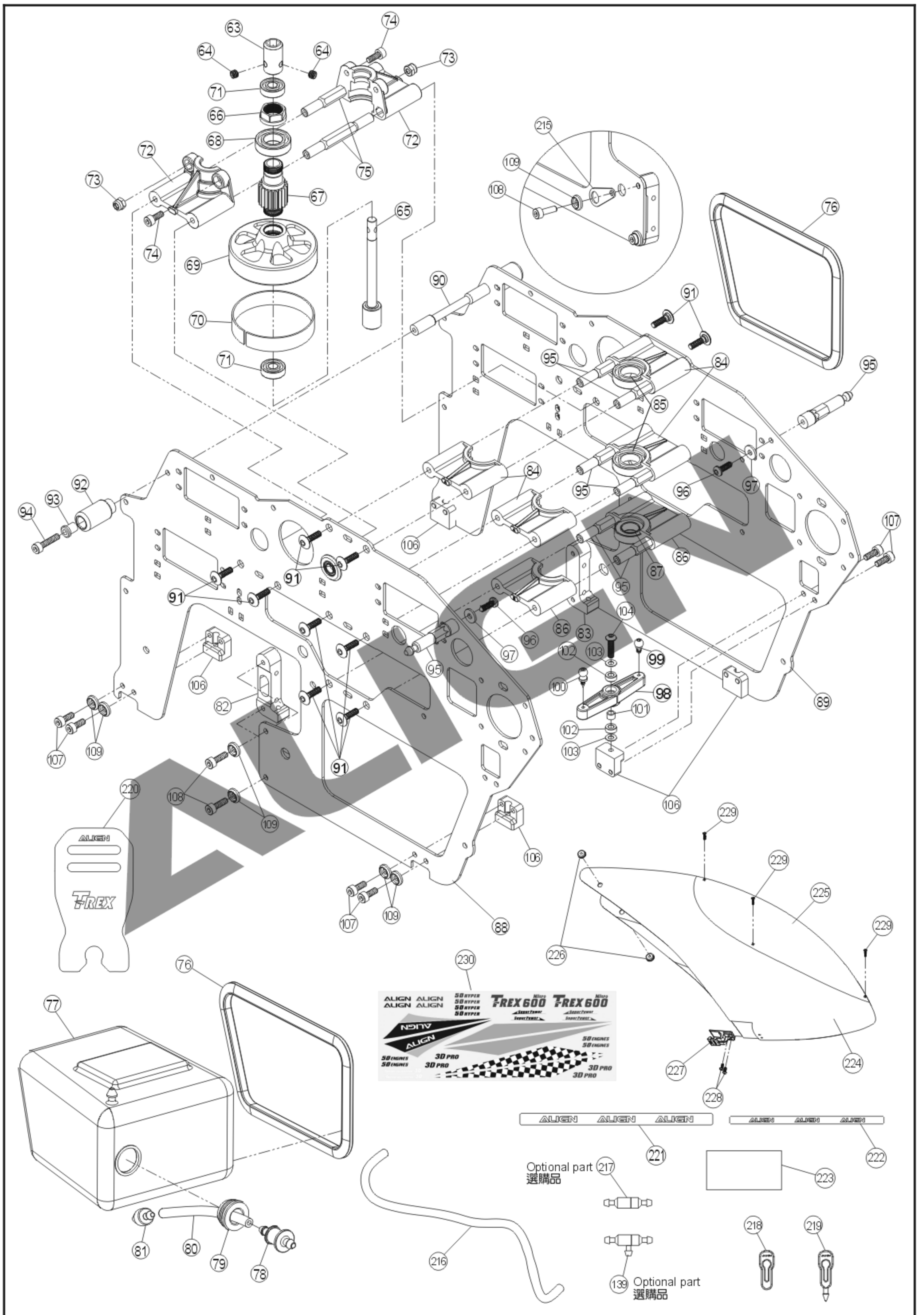


No.	Code No.	Name	Specification	Quantity	Remarks
	H60001	Thrust Bearing / 止推軸承		1	
1	50H009	Thrust bearing 止推軸承	φ 6x φ 14x5mm	2	
2	50H008	Washer 華司	φ 10.25x φ 14x0.8mm	2	
	H60002	Bearing / 軸承MR148ZZ		1	
3	50HMR148ZZ	Bearing MR148ZZ MR148ZZ軸承	φ 8x φ 14x4mm	4	
	H60003-1	Main Rotor Holder / 主旋翼夾座組		1	
4	50H002-3	Main rotor holder 主旋翼夾座		2	
5	50H145-1	Linkage ball B(T2.6x5.5) 球頭B(T2.6x5.5)	φ 4.75x12.27mm	2	
6	T64027	Socket collar screw 圓頭內六角軸套螺絲	M4x27mm	2	
7	N14001	M4 Nut M4防鬆螺帽	M4	2	
	H60004-1	Metal Main Rotor Housing / 金屬主旋翼固定座組		1	
8	50H001	Metal main rotor housing 金屬主旋翼固定座		1	
9	50NH008	Damper rubber-black 80° 橫軸墊圈-黑80°	φ 7.9x φ 13x6.5mm	2	
10	50H006	Spacer 橫軸套圈	φ 8x φ 11.5x1.3mm	2	
11	50H136	Pin 定位插銷	φ 2x32mm	2	
12	T63022	Socket collar screw 圓頭內六角軸套螺絲	M3x22mm	1	
13	N10030	M3 Nut M3防鬆螺帽	M3	1	
	H60005	Metal Head Stopper / 金屬旋翼頭制動器組		1	
14	50H164-1	Metal head stopper 金屬旋翼頭制動器		1	
15	T63010	Socket screw 圓頭內六角螺絲	M3x10mm	1	
	H60006	Feathering Shaft / 橫軸		1	
16	50H003-2	Feathering shaft 橫軸	φ 6x φ 8x93.2mm	2	
17	50H010	Washer 橫軸華司	φ 4x φ 12x1mm	2	
18	T64010	Socket screw 圓頭內六角螺絲	M4x10mm	2	
	H60007	SF Mixing Arm / SF控制搖臂組		1	
19	50H025-4	SF Mixing arm SF控制搖臂		2	
20	50H683ZZ	Bearing 683ZZ 683ZZ軸承	φ 3x φ 7x3mm	4	
21	50H024	Collar 擺臂軸承襯套	φ 3x φ 4.8x1.5mm	2	
22	50H022-2	Washer 華司	φ 3x φ 4.8x0.3mm	4	
23	S93014	Socket button head self tapping screw 半圓頭內六角自攻螺絲	T3x14mm	2	
24	50H144-1	Linkage ball A(T2.6x3.5) 球頭A(T2.6x3.5)	φ 4.75x8.18mm	2	
25	50H145-1	Linkage ball B(T2.6x5.5) 球頭B(T2.6x5.5)	φ 4.75x12.27mm	2	
	H60009	Flybar Seesaw Holder / 平衡桿固定座組		1	
26	50H016-1	Flybar seesaw holder 平衡桿固定座		1	
27	50H623ZZ	Bearing 623ZZ 623ZZ軸承	φ 3x φ 10x4mm	2	
28	50HMR74ZZ	Bearing MR74ZZ MR74ZZ軸承	φ 4x φ 7x2.5mm	2	
29	50H119-2	M3 collar screw M3雙層軸套螺絲	M3x9.6mm	2	
	HN6001	Metal Flybar Control Arm / 金屬平衡翼控制臂組		1	
30	50NH002	Metal flybar control arm 金屬平衡翼控制臂		2	
31	50H018-1	Flybar control rod 平衡翼球型控制球桿	φ 3.4x74.2mm	2	
32	T63005	Socket screw 圓頭內六角螺絲	M3x5mm	4	
33	T74004	M4 Set screw M4止洩螺絲	M4x4mm	2	
	H60138	Flybar Paddle / 平衡翼組		1	
34	50NH001	Flybar paddle 平衡翼17g		2	
35	T73006	M3 Set screw M3止洩螺絲	M3x6mm	2	
36	D03958-1	Sticker 平衡翼貼紙		3 Sets	
	H60108	Flybar Rod / 平衡翼桿		1	
37	50H033	Flybar rod 平衡翼桿	φ 3x440mm	2	

Specifications, contents of parts and availability are subject to change, Align RC is not responsible for inadvertent errors in this publications.
本說明書內的材質、規格或零件包裝之內容物僅供參考。本公司將不對此印刷物之異動負責，也無法主動通知消費者，任何更新或異動，請以亞拓網頁為主。

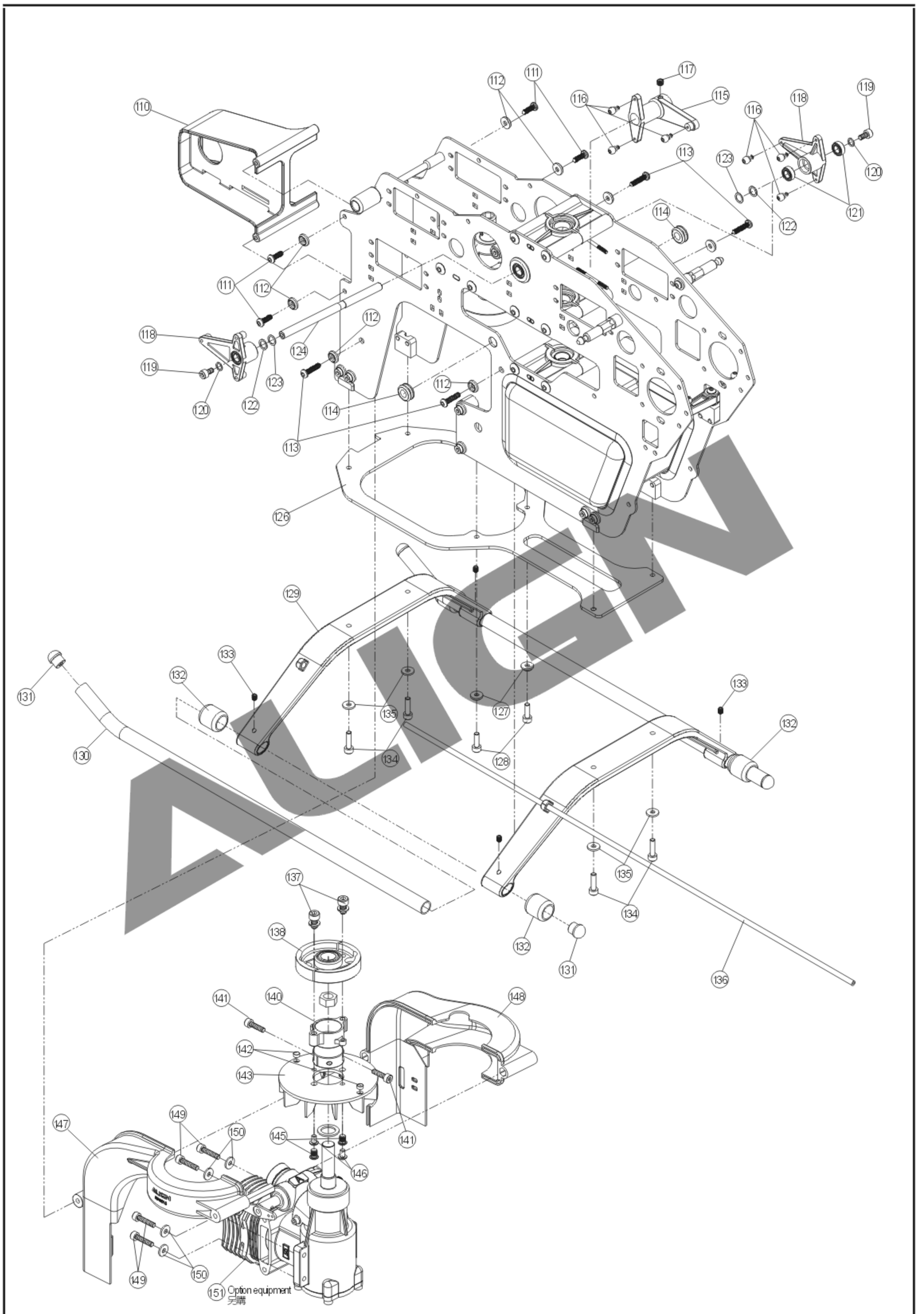


No.	Code No.	Name	Specification	Quantity	Remarks
	H60013-1	Main Shaft/主軸組		1	
38	50H047	Main shaft 主軸	φ10x201x29.3mm	2	
39	50H045-1	Lock collar 主軸固定環	φ10xφ15x7mm	1	
40	T74004	M4 Set screw M4止洩螺絲	M4x4mm	2	
41	T63020	Socket collar screw 圓頭內六角軸套螺絲	M3x20mm	1	
42	N10030	M3 Nut M3防鬆螺帽	M3	1	
	H60014	Washout Control Arm/穩定控制組		1	
43	50H031-3	Washout control arm 穩定控制搖臂		2	
44	50H035	Radius arm Radius連桿		2	
45	50H126	Collar 穩定控制搖臂銅套	φ2xφ3x5.1mm	2	
46	50H022-2	Washer 華司	φ3xφ4.8x0.3mm	4	
47	50H683ZZ	Bearing 683ZZ 683ZZ軸承	φ3xφ7x3mm	4	
48	50H024	Collar 擺臂軸承襯套	φ3xφ4.8x1.5mm	2	
49	T12012-2	Collar Screw 軸套螺絲	M2x12mm	2	
50	50H145-1	Linkage ball B(T2.6x5.5) 球頭B(T2.6x5.5)	φ4.75x12.27mm	2	
	HN6089	Metal Washout Base/金屬向位器		1	
51	T63012	Socket screw 圓頭內六角螺絲	M3x12mm	2	
52	50NH004	Metal washout base 金屬向位器		1	
		CCPM Metal Swashplate/金屬CCPM十字盤組		1	
53		CCPM Metal Swashplate 金屬CCPM十字盤組		1	
54	50H041-1	Long linkage ball(M3x3) 導板長球頭(M3x3)	φ4.75x24.59mm	1	
55	50H044	Linkage ball B(M3x3) 球頭B(M3x3)	φ4.75x9.77mm	6	
	H60139	One-way Bearing Shaft/單向軸承套		1	
56	50B048-2	One-way bearing shaft 單向軸承套	φ9xφ12x34.55mm	1	
57	50B050	Washer 單向軸承華司	φ11.5xφ18x0.8mm	1	
	H60019	Main Drive Gear 170T/170T 主齒輪		2	
58	50B158	Main drive gear(170T) 主齒盤(170T)		2	
	H60020	Autorotation Tail Drive Gear/尾驅動主齒		2	
59	50B054	Autorotation tail drive gear(180T) 尾驅動主齒(180T)		2	
	HN6002	Main Gear Case/主齒中心座		1	
60	50B049-1	One-way bearing 單向軸承	φ12xφ18x16mm	1	
61	50B051-2	Main gear case 主齒中心座	φ55x14.5mm	1	
62	S83007	Hex socket self tapping screw 圓頭內六角自攻螺絲	T8x7mm	5	

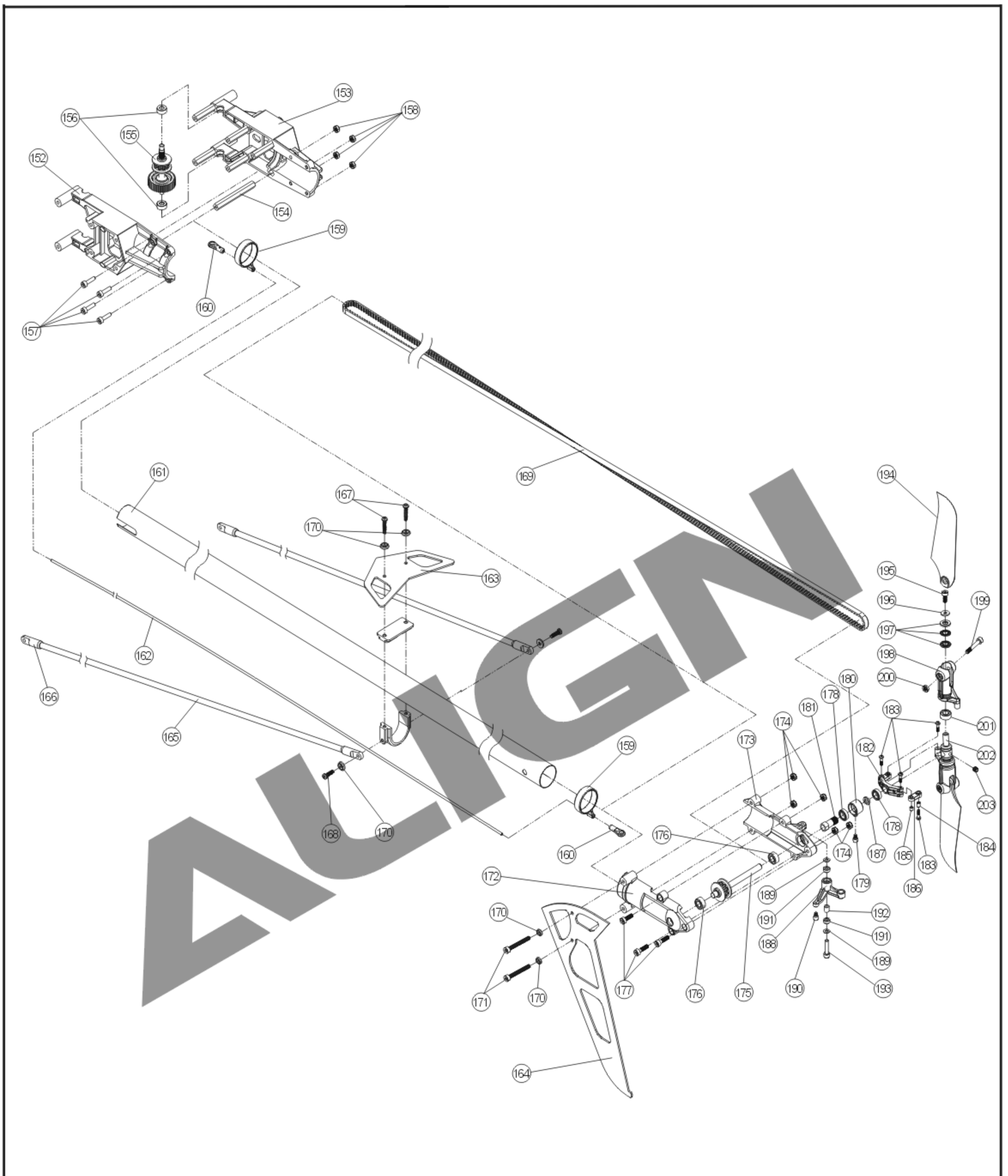


No.	Code No.	Name	Specification	Quantity	Remarks
	HN6003	Clutch/Start Shaft 啓動軸組		1	
63	50NB010	Starter coupling 六角啓動頭	φ 8x φ 10x18mm	1	
65	50NB009	Clutch/Start shaft 啓動軸	φ 7.5x φ 10x70.5mm	1	
64	T74004	M4 Set screw M4止洩螺絲	M4x4mm	2	
	HN6004	Engine Gear 引擎齒輪組		1	
66	50NB007	Clutch nut 離合器齒輪螺帽	φ 14x6mm	1	
67	50NB011	Clutch gear 離合器齒輪	φ 15.4x φ 7x31.5mm	1	
68	50B6800ZZ-2	Bearing 6800ZZ 6800ZZ軸承	φ 10x φ 19x5mm	1	
	HN6005	Clutch Bell 離合器輪組		1	
69	50NB006	Clutch bell 離合器輪	φ 44x φ 47x20mm	1	
70	50NB033	Clutch liner 離合器來令片	0.8x8.75x136mm	1	
71	50NB695ZZ	Bearing 695ZZ 695ZZ軸承	φ 5x φ 13x4mm	1	
	HN6006	Clutch Liner 離合器來令片		1	
70	50NB033	Clutch liner 離合器來令片	0.8x8.75x136mm	2	
	HN6007	Engine Bearing Block 引擎軸承座組		1	
72	50NB008	Clutch bearing block 離合器軸承座		2	
73	N10030	M3 Nut M3防鬆螺帽	M3	2	
74	T63008	Socket screw 圓頭內六角螺絲	M3x8mm	2	
75	50NB035	Hex mounting bolt 六角鋁柱	φ 5x49mm	2	
	HN6008	Fuel Tank Guard 油箱墊圈		1	
76	50NB031	Fuel tank guard 油箱墊圈		2	
	HN6009	Fuel Tank 油箱組		1	
77	50NB023	Fuel tank 油箱		1	
78	50NB026	Fuel tank nipple 油箱接頭		1	
79	50NB030	Grommet 油箱接頭墊圈	φ 8.4x φ 16.8x9mm	1	
80	50NB041	Fuel tube 油管	φ 2.5x φ 4x70mm	1	
81	50NB027	Fuel tank sinker 油管接頭		1	
	HN6010-1	Engine Mount 引擎座組		1	
82	50NB020-1	Engine mount (L) 引擎座(左)	39.3x16x8.5mm	1	
83	50NB021-1	Engine mount (R) 引擎座(右)	39.3x16x8.5mm	1	
	HN6011	Main Shaft Block 主軸固定座組		1	
84	50NB003	Upper bearing block (Mark A) 主軸上軸承固定座	刻A	4	
85	50B6800ZZ-2	Bearing 6800ZZ 6800ZZ軸承	φ 10x φ 19x5mm	2	
86	50NB004	Lower bearing block (Mark B) 主軸下固定座	刻B	2	
87	50B689ZZ-1	Bearing 689ZZ 689ZZ軸承	φ 9x φ 17x4mm	1	
	HN6040-1	Main Frame(L) 玻纖主體左側板		1	
88	50NB057-2	Main frame(L) 玻纖主體左側板		1	
	HN6041-1	Main Frame(R) 玻纖主體右側板		1	
89	50NB057-2	Main frame(R) 玻纖主體右側板		1	
90	50NB025	Frame mounting bolt 機身鋁柱		2	
	HN6015	Socket Button Head Collar Screw 半圓頭內六角軸套螺絲		1	
91	T53010-3	Socket button head collar screw 半圓頭內六角軸套螺絲	M3x10mm	16	
	HN6016	Canopy Support 機頭罩支撐柱組		1	
90	50NB025	Frame mounting bolt 機身鋁柱		2	
92	50NB039	Canopy spacer 機頭罩支撐墊圈	φ 4.8x φ 11x22mm	2	
93	50NB038	Canopy support 機頭罩支撐柱	φ 3x φ 5x φ 6.5x7.3mm	2	
94	T53014-2	Socket screw 圓頭內六角螺絲	M3x14mm	2	
95	50B121-2	Canopy mounting bolt 機頭罩固定柱		2	
96	S93010	Socket button head self tapping screw 半圓頭內六角自攻螺絲	T3x10mm	2	
97	W10030	M3 washer M3華司	φ 3x φ 8x1mm	2	
	HN6017	Tail Control Arm 尾控制臂組		1	
98	50NB024	Tail control arm 尾控制臂		1	
99	50H144-1	Linkage ball A(T2.6x3.5) 球頭A(T2.6x3.5)	φ 4.75x8.18mm	1	
100	50H145-1	Linkage ball B(T2.6x5.5) 球頭B(T2.6x5.5)	φ 4.75x12.27mm	1	
101	50NB034	Collar 尾控制臂鋁套	φ 3x φ 4.4x3mm	1	
102	HMR63ZZ	Bearing MR63ZZ MR63ZZ軸承	φ 3x φ 6x2.5mm	2	
103	50H022-2	Washer 華司	φ 3x φ 4.8x0.3mm	2	
104	T53012-1	Socket button head screw 半圓頭內六角螺絲	M3x12mm	1	
	HN6018	Aluminum Hexagonal Bolt 六角鋁柱組		1	
105	50NB035	Aluminum hexagonal bolt 六角鋁柱		6	

No.	Code No.	Name	Specification	Quantity	Remarks
	HN6019	Frame Mounting Block 機身固定塊組		1	
106	50NB019	Frame mounting block 機身固定塊	14x12.5x8mm	5	
107	T63008	Socket screw 圓頭內六角螺絲	M3x8mm	10	
108	T63010	Socket screw 圓頭內六角螺絲	M3x10mm	4	
109	50B072	M3 Specialty washer M3特殊華司	φ 2x φ 8x2mm	14	
215	50NB032	Glow plug plate 火星塞點火器接地板	23.73x0.8mm	1	
	HN6020-1	φ 5 Fuel Tube φ 5油管		1	
216	50NB046-1	Fuel tube 油管	φ 2.5x φ 5x1000mm	1	
218	50NB043	Fuel tube clip A 油管夾片A	26x9.8x3mm	1	
219	50NB044	Fuel tube clip B 油管夾片B	33.5x9.8x3mm	1	
	HN6021	Fuel Filter 油管過濾器		1	
217	50NB045	Fuel filter 油管過濾器	2-Way	1	Option Parts
218	50NB043	Fuel tube clip A 油管夾片A	26x9.8x3mm	1	
219	50NB044	Fuel tube clip B 油管夾片B	33.5x9.8x3mm	1	
	HN6022	3-Way Fuel Filter 油管三通過濾器		1	
139	50NB054	Fuel filter 油管過濾器	3-Way	1	Option Parts
218	50NB043	Fuel tube clip A 油管夾片A	26x9.8x3mm	1	
219	50NB044	Fuel tube clip B 油管夾片B	33.5x9.8x3mm	1	
	H60085	Main Blade Holder 主旋翼固定架		1	
220	50H137	Main blade holder 主旋翼固定架泡棉	φ 165x90x15mm	1	
	HN6023	Hook And Loop Tape 魔術帶組		1	
221	K10378	Hook and Loop Tape 魔術帶	15x250mm	2	
222	K10379	Hook and Loop Tape 魔術帶	10x200mm	3	
223	K10365	Hook and Loop Tape 魔術沾	54x28mm	3Sets	
	HN6044	Canopy 機頭罩		1	
224	50NB059	Canopy 機頭罩		1	
225	50NB060	Canopy cover 機艙蓋		1	
226	50B135	Canopy nut 機頭罩固定套	φ 2.7x φ 6x φ 11x4.6mm	2	
227	50NB028	Canopy clip 機頭罩扣		1	
228	S93008	Socket button head self tapping screw 半圓頭內六角自攻螺絲	T3x8mm	2	
229	T52006-1	Socket button head self tapping screw 半圓頭內六角自攻螺絲	T2x6mm	4	
	HN6045	Canopy Decal 機頭罩貼紙		1	
230	D03976	Canopy decal 機頭罩貼紙	230x600mm	1	



No.	Code No.	Name	Specification	Quantity	Remarks
	HN6024	Receiver Mount 接收器座組		1	
110	50NB017	Receiver mount 接收器座	90x64x50mm	1	
111	S93010	Socket button head self tapping screw 半圓頭內六角自攻螺絲	T3x10mm	4	
112	50B072	M3 Specialty washer M3特殊華司	φ3xφ8x2mm	4	
	HN6025	Engine Fan 引擎風扇組		1	
143	50NB013-1	Engine fan 引擎風扇	φ60xφ20x2.3mm	1	
147	50NB015	Engine fan cover(L) 引擎風扇蓋(左)	123x100x30mm	1	
148	50NB014	Engine fan cover(R) 引擎風扇蓋(右)	123x100x30mm	1	
	50NB029	Hexagonal bolt 六角柱		2	
112	50B072	M3 Specialty washer M3特殊華司	φ3xφ8x2mm	4	
113	S93014	Socket button head self tapping screw 半圓頭內六角自攻螺絲	T3x10mm	4	
	H60024	Elevator Lever 後控制臂組		1	
115	50B068-2	Elevator lever 後控制臂	M3孔x2	1	
116	50H144-1	Linkage ball A(T2.6x3.5) 球頭A(T2.6x3.5)	φ4.75x8.18mm	3	
117	T74004	M4 Set screw M4止洩螺絲	M4x4mm	1	
	H60026	Aileron Lever 左右控制搖臂組		1	
118	50B056-2	Aileron lever 左右控制搖臂		2	
116	50H144-1	Linkage ball A(T2.6x3.5) 球頭A(T2.6x3.5)	φ4.75x8.18mm	6	
121	50BMR95ZZ	Bearing MR95ZZ MR95ZZ軸承	φ5xφ9x3mm	4	
123	50B059	Washer 華司	φ5xφ7x0.2mm	2	
114	50NB037	Fuel line grommet 油管保護套	φ5.2xφ7xφ11x4.8mm	2	
	HN6026	Control Shaft 連動桿		1	
124	50NB036	Control shaft 連動桿	φ5x88mm	1	
119	T63006	Socket screw 圓頭內六角螺絲	M3x6mm	2	
120	50H022	Washer 華司	φ3xφ5.5x0.3mm	2	
122	50B058	Washer 華司	φ5xφ7x0.5mm	2	
	HN6043	GF Bottom Bracket 玻纖主體底板		1	
126	50NB058	GF Bottom plate 玻纖主體底板	2mm	1	
127	W10030	M3 Washer M3華司	φ3xφ8x1mm	2	
128	T63010	Socket screw 圓頭內六角螺絲	M3x10mm	2	
	H60111	Landing Skid 新型腳架		1	
129	50F179	Landing skid 腳架	300x60.25mm	2	
136	50F128	Antenna pipe 天線管	φ2xφ3.9x500mm	1	
	H60137	Skid Pipe 腳架鋁管		1	
130	50F083	Skid pipe 腳架鋁管	φ9x310mm	2	
131	50F084	Skid pipe end cap 腳架鋁管保護套		4	
	H60064	Landing Skid Nut 腳架墊		1	
132	50F130	Landing skid nut 腳架墊圈		4	
133	T73004	M3 Set screw M3止洩螺絲	M3x4mm	4	
134	T63012	Socket screw 圓頭內六角螺絲	M3x12mm	4	
135	W10030	M3 Washer M3華司	φ3xφ8x1mm	4	
	HN6028	Clutch 離合器		1	
138	50NB016-1	Clutch 離合器	φ35xφ42x12mm	1	
	50NHF1012	One-way bearing HF1012 HF1012單向軸承	φ10xφ14x12mm	1	
	HE50H01	ALIGN50引擎		1	
151	HE50H01	ALIGN 50Engine ALIGN 50引擎		1	
	HN6029	Engine Fan Mount 引擎風扇座		1	
140	50NB012-1	Engine fan mount 引擎風扇座	φ9x19.97x26mm	1	
137	T64008-1	Socket head spring screw 圓頭內六角彈簧螺絲	M4x8mm	2	
141	T63012	Socket screw 圓頭內六角螺絲	M3x12mm	2	
145	T54005	Socket butt on head screw 半圓頭內六角螺絲	M4x5mm	2	
146	T53005-1	Socket butt on head screw 半圓頭內六角螺絲	M3x5mm	2	
149	T53014-2	Socket screw 圓頭內六角螺絲	M3x14mm	4	
150	W10030	M3 Washer M3華司	φ3xφ8x1mm	4	
142		Magnet(Governor sensor) 定速感應磁鐵		2	Option Parts



No.	Code No.	Name	Specification	Quantity	Remarks
	HN6030-1	Tail Boom Mount 尾管固定座組		1	
152	50NB001-1	Tail boom mount (L) 尾管固定座(左)		1	
153	50NB002-1	Tail boom mount (R) 尾管固定座(右)		1	
154	50NB029	Hexagonal bolt 六角柱		4	

No.	Code No.	Name	Specification	Quantity	Remarks
	H60034	Tail Drive Gear Assembly 尾傳動導輪軸組		1	
155	H60034-A	Tail drive gear assembly 尾傳動輪組		1	
156	50B684ZZ	Bearing 684ZZ 684ZZ軸承	φ 4x φ 9x4mm	2	
157	T63008	Socket screw 圓頭內六角螺絲	M3x8mm	4	
158	N10030	M3 Nut M3防鬆螺帽	M3	4	
	HN6031	Tail Boom 尾管		1	
159	50T125-1	Tail control guide 尾控制桿固定環		2	
160	50Z124	Ball link 連桿頭		2	
161	50T085	Tail boom 尾管	φ 20x φ 21.5x625mm	1	
162	50NT002	Tail rudder control rod B 尾舵控制連桿B	φ 1.97x657mm	1	
	HN6042	3K GF Stabilizer 3K玻纖尾翼		1	
163	50NT006	3K GF Horizontal stabilizer 3K玻纖水平翼		1	
164	50NT005	3K GF Vertical stabilizer 3K玻纖垂直翼		1	
	H60052	Tail Boom Brace 尾管支撐架組		1	
165	50T132	Tail boom brace 尾管支撐架組	φ 5x460mm	2	
166	50T123	Tail boom brace end 尾支撐架接頭		4	
167	S93014	Socket button head self tapping screw 半圓頭內六角自攻螺絲	T3x14mm	2	
168	S93010	Socket button head self tapping screw 半圓頭內六角自攻螺絲	T3x10mm	2	
	W10030	M3 Washer M3華司	φ 3x φ 8x1mm	4	
	H60036	Tail Drive Belt 尾傳動皮帶		1	
169	50T131-1	Tail drive belt 尾傳動皮帶	592XL	1	
170	50B072	M3 Specialty washer M3特殊華司	φ 2x φ 8x2mm	4	
171	T63010	Socket screw 圓頭內六角螺絲	M3x26mm	2	
172	50T090	Tail case (L) 尾齒輪座(左)		1	
173	50T091	Tail case (R) 尾齒輪座(右)		1	
174	N10030	M3 Nut M3防鬆螺帽	M3	3	
175		Tail rotor shaft assembly 尾橫軸組		1	
176	50TMR105ZZ	Bearing 105ZZ MR105ZZ軸承	φ 5x φ 10x4mm	2	
177	T63012	Socket screw 圓頭內六角螺絲	M3x12mm	3	
	H60046	Tail Pitch Assembly 尾旋翼控制組		1	
178	50T106ZZ	Bearing MR106ZZ MR106ZZ軸承	φ 6x φ 10x3mm	2	
179	50H144-1	Linkage ball A(T2.6x3.5) 球頭A(T2.6x3.5)	φ 4.75x8.18mm	1	
180	50T102	Bearing holder 尾翼控制組軸承套座		1	
181	50T101-2	Slide Shaft 尾軸滑套	φ 5x φ 7.2x16.7mm	1	
182	50T116	T type arm 尾翼控制組T型臂		1	
183	T12008-4	Collar screw 軸套螺絲	M2x8mm	4	
184	50T127	Collar B 尾連桿頭銅套B	φ 2x φ 3x3mm	2	
185	50T106	Collar A 尾連桿頭銅套A	φ 2x φ 3x4mm	2	
186	50T105	Control link 尾控制連桿頭		2	
187	50T114	Collar 尾控制組軸套座鋁襯墊		1	
	H60044	Tail Rotor Control Arm 尾旋翼控制臂組		1	
188	50T096-1	Tail rotor control arm 尾旋翼控制臂		1	
189	50H022-2	Washer 華司	φ 3x φ 4.8x0.3mm	2	
190	50H144-1	Linkage ball A(T2.6x3.5) 球頭A(T2.6x3.5)	φ 4.75x8.18mm	1	
191	HMR63ZZ	Bearing MR63ZZ MR63ZZ軸承	φ 3x φ 6x2.5mm	2	
192	50T097	Collar 尾旋翼控制臂鋁套	φ 3x φ 4.9x5mm	1	
193	T63015	Socket collar screw 圓頭內六角軸套螺絲	M3x15m	1	
	H60051	Plastic Tail Blade 塑膠尾旋翼		1	
194	50T117-2	Plastic tail blade 塑膠尾旋翼		2	
	H60109	Tail Rotor Holder 新型尾旋翼夾座組		1	
195	T63008	Socket screw 圓頭內六角螺絲	M3x8mm	2	
196	W10030-1	Washer 華司	φ 3x φ 8x0.6mm	2	
197	50TF510M	Thrust bearing 止推軸承	F5-10M	2	
198	50T171	Tail rotor holder 尾旋翼夾座		2	
199	T63020	Socket collar screw 圓頭內六角軸套螺絲	M3x20m	2	
200	N10030	M3 Nut M3防鬆螺帽	M3	2	
201	50TMR105ZZ-1	Bearing MR105ZZ MR105ZZ軸承	φ 5x φ 10x4mm	2	
202	50T172	Tail rotor hub 尾旋翼T型座	φ 10x39.6mm	1	
203	T74004	M4 Set screw M4止洩螺絲	M4x4mm	1	



Specifications & Equipment/規格配備:

Length/機身長: 1160mm

Height/機身高: 410mm

Main Blade Length/主旋翼長: 600mm

Main Rotor Diameter/主旋翼直徑: 1350mm

Tail Rotor Diameter/尾旋翼直徑: 240mm

Engine Pinion Gear/引擎主齒: 20T

Autorotation Tail Drive Gear/尾驅動主齒: 180T

Drive Gear Ratio/齒輪傳動比: 8.5:1:4.5 (E:M:T)

Flying Weight/全配重: Approx. 3.2kg

